



Biometric Authentication Devices

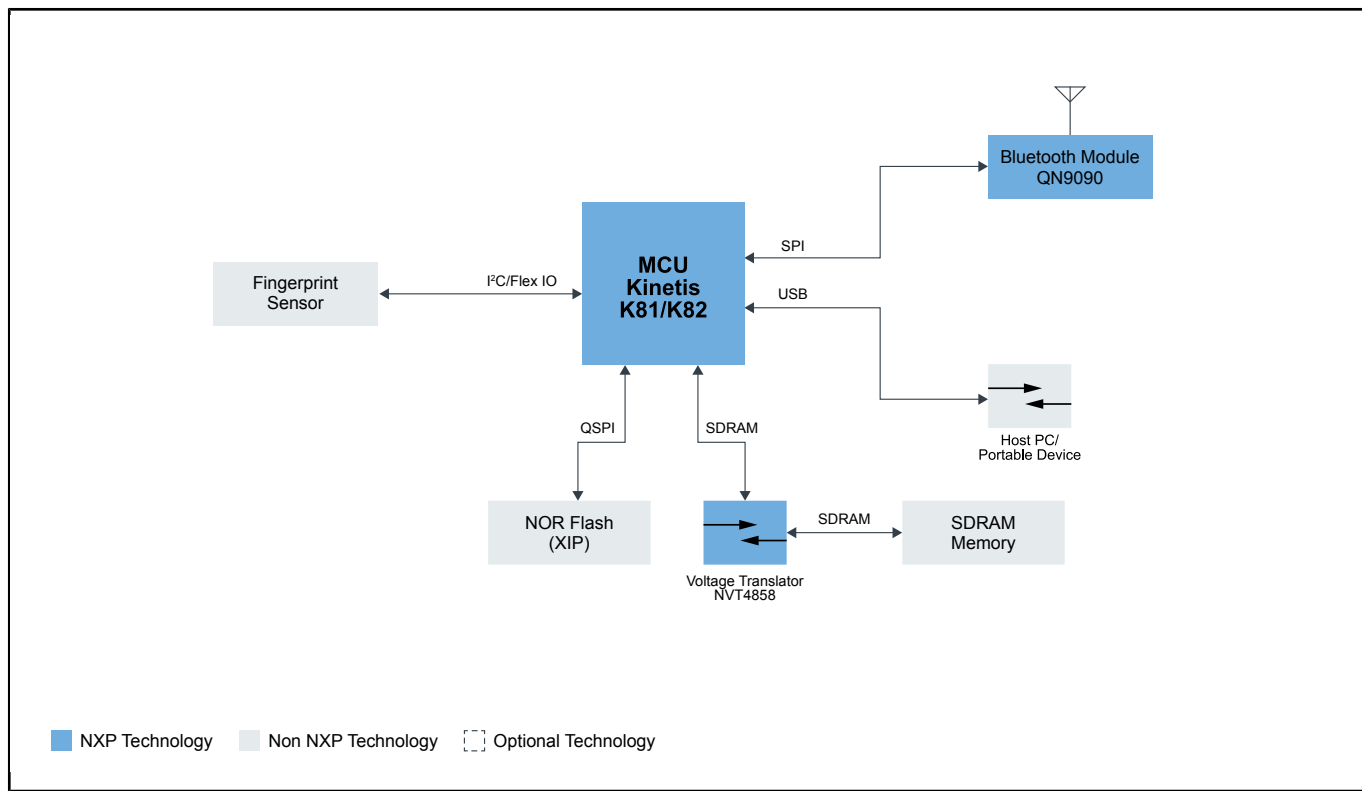
BIOMETRIC-AUTHENTICATION

Last Updated: Apr 23, 2024

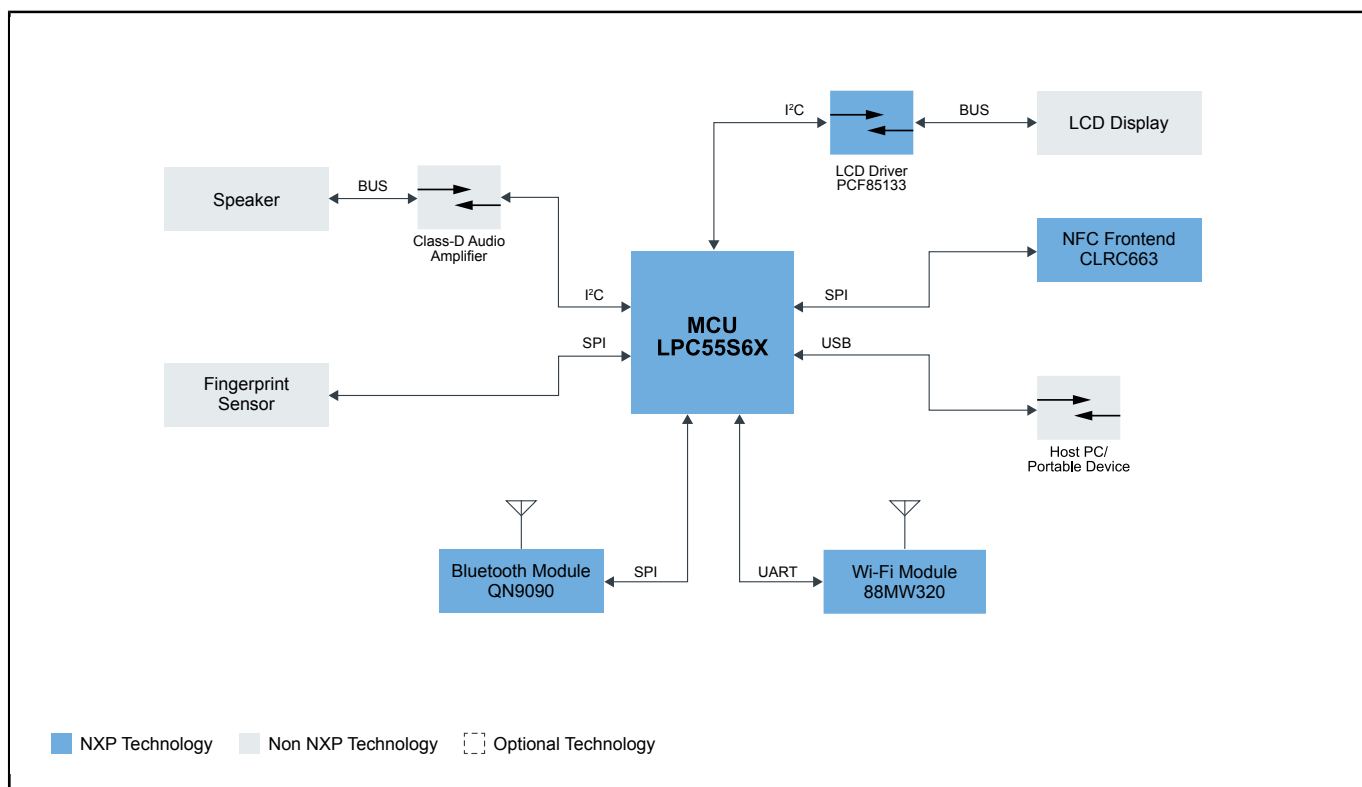
See how NXP overcomes security and privacy issues and provides solutions related to the use of biometrics for person authentication, This requirement is met by NXP for applications like payment cards with biometric fingerprint sensors. To help to ensure privacy, the payment card is equipped with a secure element.

The use of an MCU or MPU allows to perform the biometrics and with the integration of peripherals such a PC or a wireless connectivity module to communicate with a certain database.

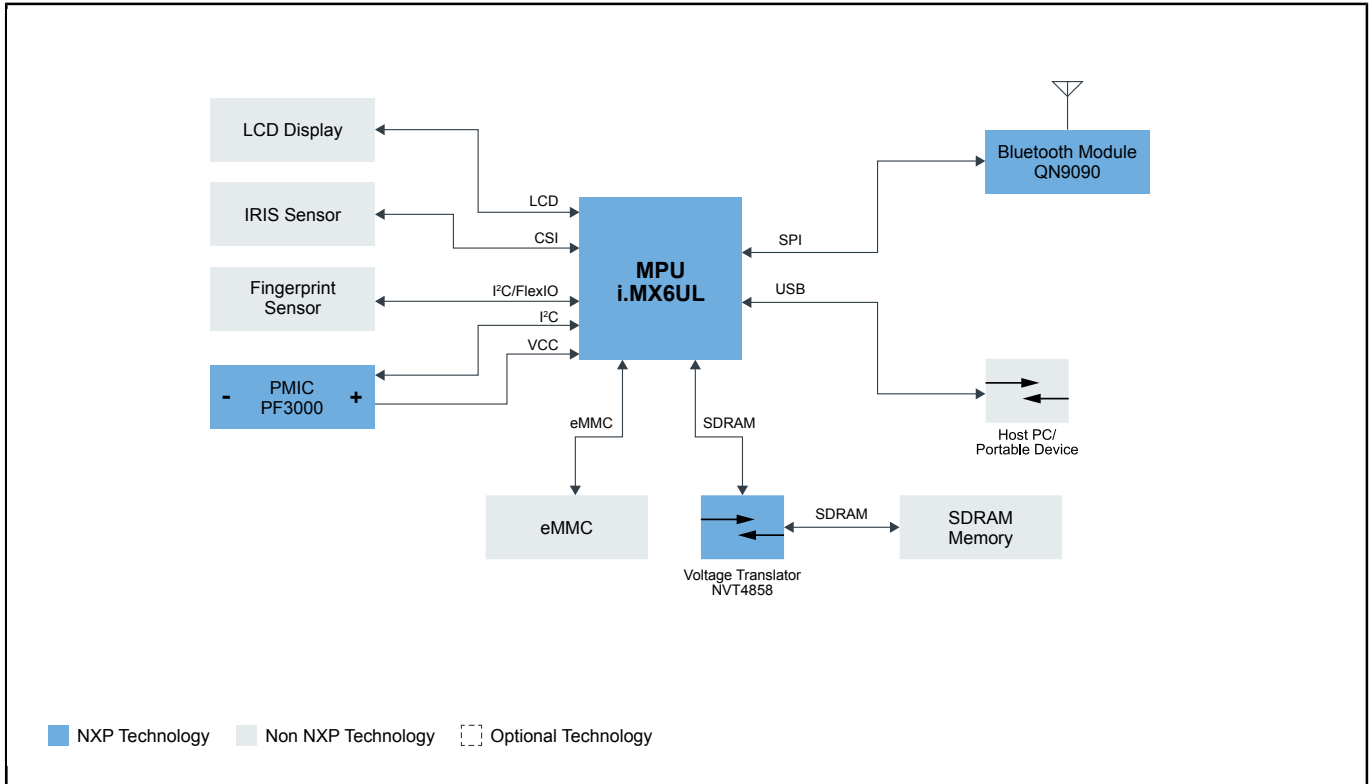
Kinetic Version Block Diagram



LPC Version Block Diagram



i.MX Version Block Diagram



View additional information for [Biometric Authentication Devices](#).

Note: The information on this document is subject to change without notice.

www.nxp.com

NXP and the NXP logo are trademarks of NXP B.V. All other product or service names are the property of their respective owners. The related technology may be protected by any or all of patents, copyrights, designs and trade secrets. All rights reserved. © 2024 NXP B.V.