



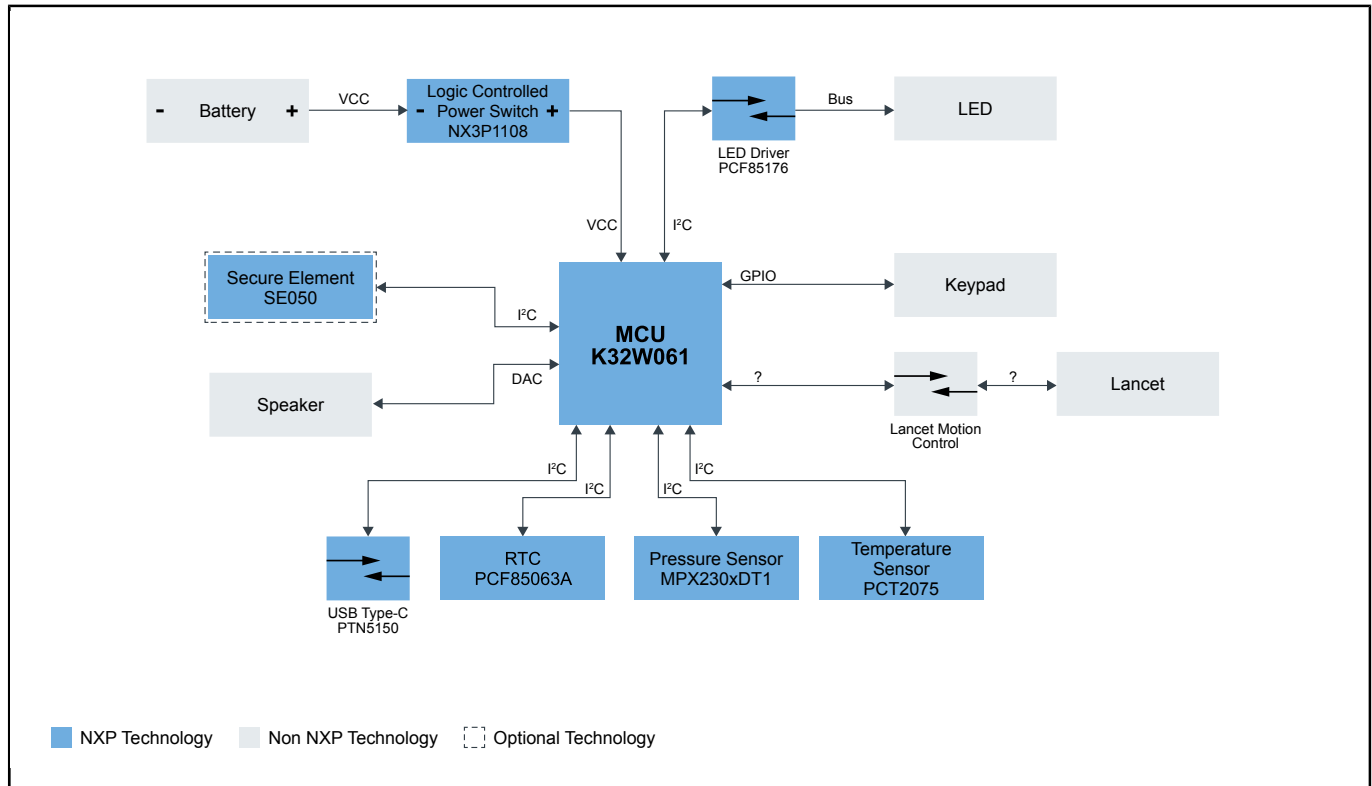
Blood Glucose Monitor

BLOOD-GLUCOSE-MONITOR

Last Updated: May 22, 2023

NXP® offers specific MCUs (featuring integrated analog blocks and ZigBee®) and proprietary wireless solutions that support home-based blood glucose management devices for people with Type 1 and Type 2 diabetes. Blood glucose management is intended to control insulin pumps and continuously monitor patient's glucose levels remotely, this action helps regulate glucose, recommend insulin dosage and food dietary.

Blood Glucose Monitor Block Diagram



View additional information for [Blood Glucose Monitor](#).

Note: The information on this document is subject to change without notice.

www.nxp.com

NXP and the NXP logo are trademarks of NXP B.V. All other product or service names are the property of their respective owners. The related technology may be protected by any or all of patents, copyrights, designs and trade secrets. All rights reserved. © 2023 NXP B.V.