



# Bluetooth® Low Energy Beacon Reference Design

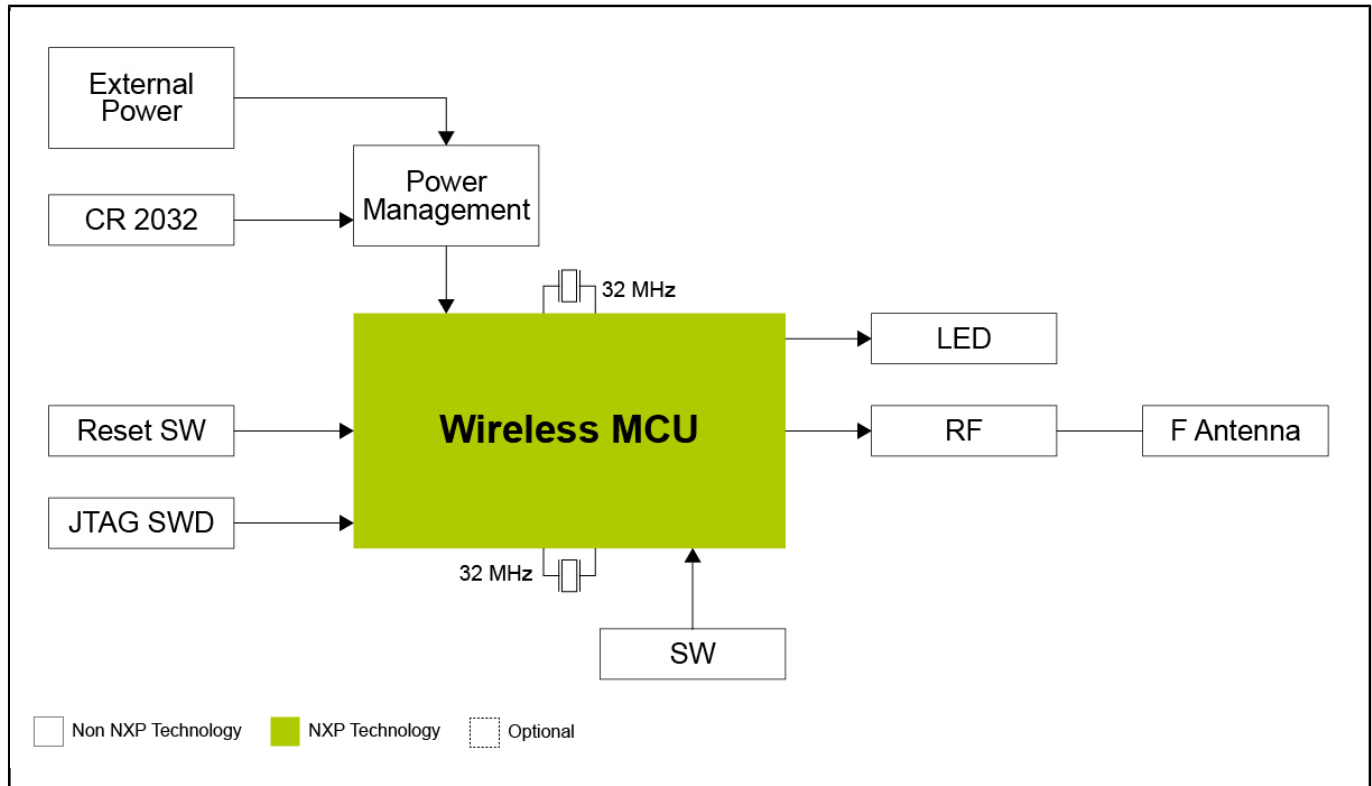
## BLUETOOTH-BEACON

Last Updated: Jun 8, 2023

The Bluetooth low energy beacon reference design is a compact form factor, open source design, which can be used with the popular beacon profiles such as iBeacon, Eddystone, and custom NXP® beacon profile. The Bluetooth Low Energy Beacon reference design is powered by the KW30Z system on-chip (SoC), which includes an Arm® Cortex™-M0+ processor together with a 2.4 GHz radio for Bluetooth Low Energy.

Note: [QN9090/30](#) is preferred for any new Bluetooth LE design. No new software releases planned

## Bluetooth Beacon Block Diagram



View additional information for [Bluetooth® Low Energy Beacon Reference Design](#).

**Note:** The information on this document is subject to change without notice.

**www.nxp.com**

NXP and the NXP logo are trademarks of NXP B.V. All other product or service names are the property of their respective owners. The related technology may be protected by any or all of patents, copyrights, designs and trade secrets. All rights reserved. © 2024 NXP B.V.