



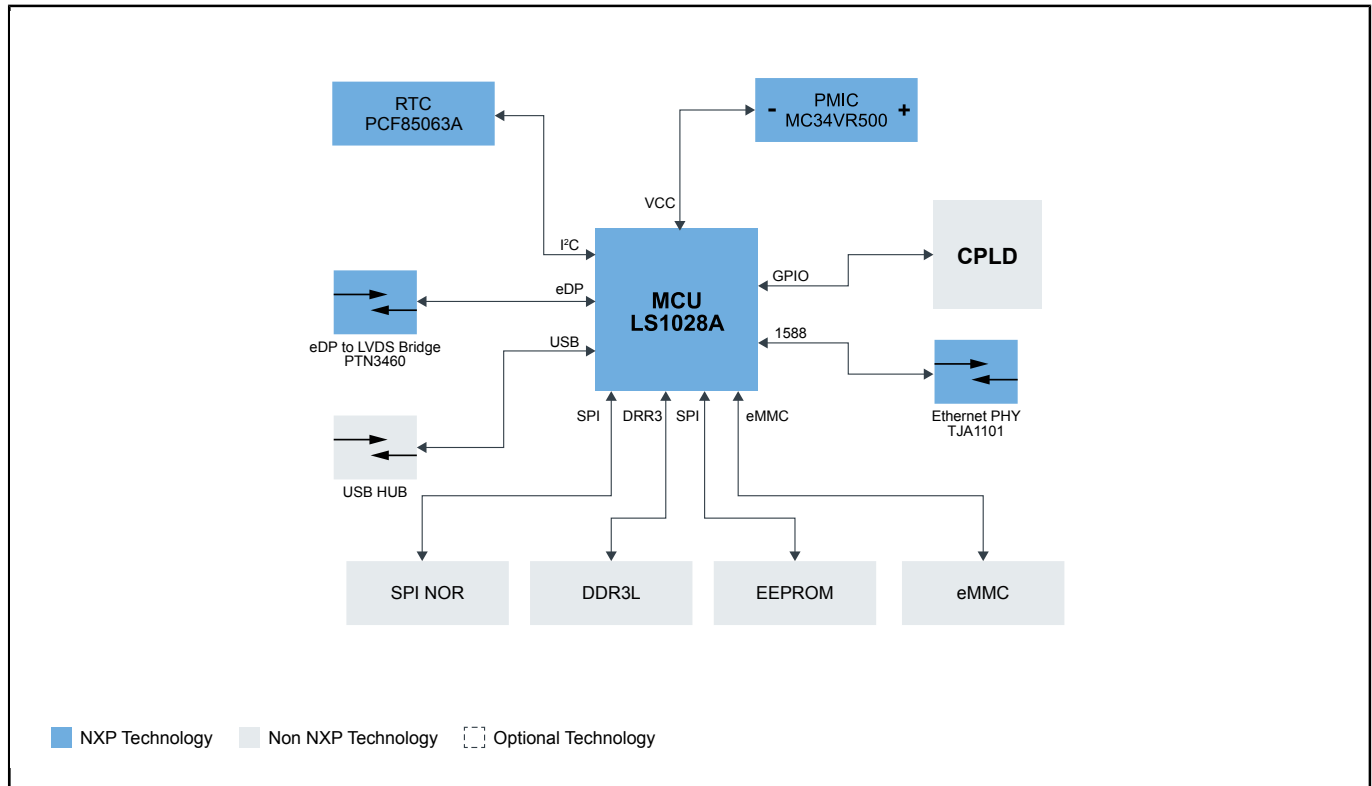
Boards and Standard Form Factor

BOARDSTDFRM

Last Updated: May 24, 2023

NXP is your ideal partner for factory automation, from a simple panel-mounted controller to large interconnected and interactive distributed control systems. This small form factor board targets applications requiring low power, low costs, and high performance. This processor includes two powerful 64-bit Arm®v8 cores that can support real-time processing for industrial control, as well as virtual machines for edge computing in the IoT.

Boards and Standard Form Factor Block Diagram



View additional information for [Boards and Standard Form Factor](#).

Note: The information on this document is subject to change without notice.

www.nxp.com

NXP and the NXP logo are trademarks of NXP B.V. All other product or service names are the property of their respective owners. The related technology may be protected by any or all of patents, copyrights, designs and trade secrets. All rights reserved. © 2023 NXP B.V.