



5 Gbps Rail-to-Rail Low-Insertion Loss Switch

CBTL02GP023HO

Archived

This page contains information on a product that is no longer manufactured (discontinued). Specifications and information herein are available for historical reference only.

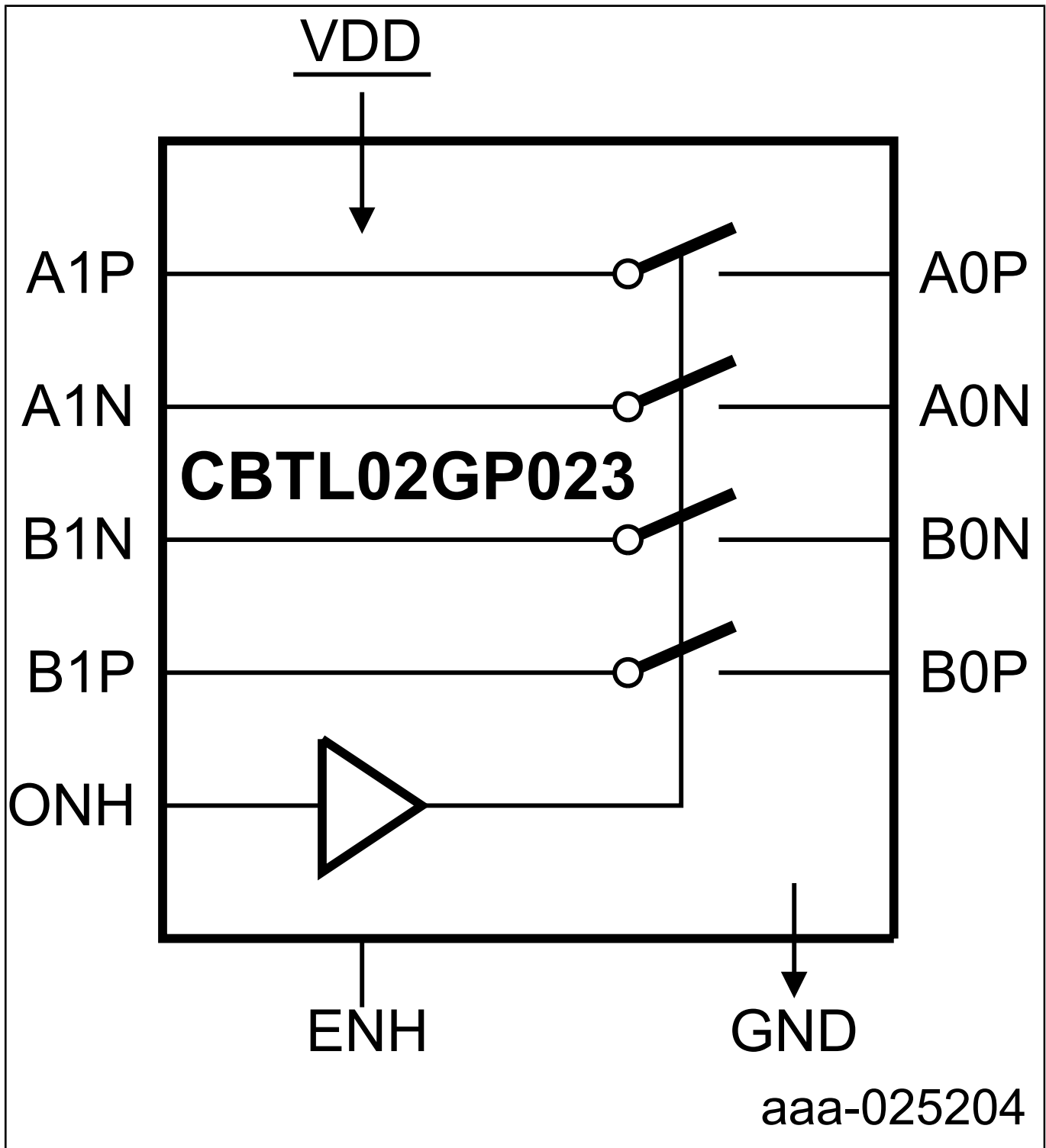
Last Updated: Jul 13, 2023

The CBTL02GP023 is a one port high performance 5 Gbps rail-to-rail low insertion loss 4x SPST switch chip optimized to interface USB3.0 signals with high voltage (e.g. USB2 signals) off isolation. It supports 5 Gbps USB3.0 signals and large swing USB2 or UART signals in dongle or plug applications. It also can be used as a general purpose 5 Gbps rail-to-rail low insertion loss switch chip in other applications.

The common mode voltage of all the input or output pins have wide common mode range from 0 V to VDD.

CBTL02GP023 is available in 1.5 mm x 2.1 mm x 0.32 mm DHX2QFN14 package with 0.4 mm pitch.

CBTL02GP023 Block Diagram Block Diagram



View additional information for [5 Gbps Rail-to-Rail Low-Insertion Loss Switch](#).

Note: The information on this document is subject to change without notice.

www.nxp.com

NXP and the NXP logo are trademarks of NXP B.V. All other product or service names are the property of their respective owners. The related technology may be protected by any or all of patents, copyrights, designs and trade secrets. All rights reserved. © 2024 NXP B.V.