



High-Speed Differential 1-to-2 Switch Chip

CBTU02043HE

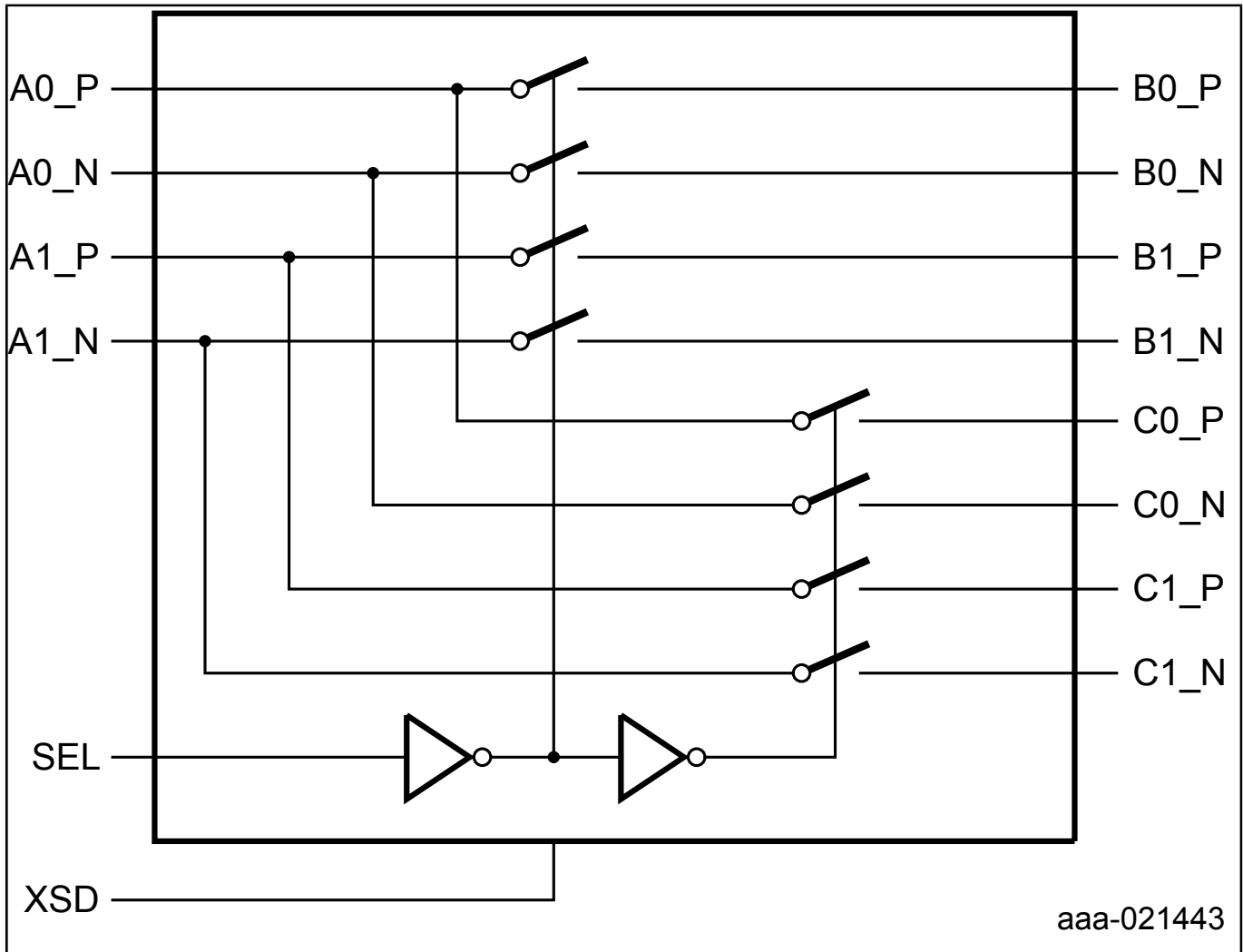
Last Updated: May 30, 2022

The CBTU02043 is a high-speed differential 1-to-2 switch chip optimized to interface with type C connector for mobile and PC applications. This high performance switch chip can be used for 1 port USB3.1, PCIe-Gen3 high speed serial interface applications. It can also support DP1.3 or 4 single-ended DDR channels. The CBTU02043 chip can also provide 2-to-1 MUX function by selecting 1 (Port A) out of two differential ports (Port B or C) for other applications.

The device's pinouts are optimized for USB3.1 type C DeMUX application and achieve very low crosstalk to meet the stringent type C crosstalk spec. The small package and pinning is ideal for smartphone type C application.

CBTU02043 is available in 1.6 mm x 2.4 mm x 0.5 mm HUQFN16 package with 0.4 mm pitch.

CBTU02043 Block Diagram Block Diagram



View additional information for [High-Speed Differential 1-to-2 Switch Chip](#).

Note: The information on this document is subject to change without notice.

www.nxp.com

NXP and the NXP logo are trademarks of NXP B.V. All other product or service names are the property of their respective owners. The related technology may be protected by any or all of patents, copyrights, designs and trade secrets. All rights reserved. © 2023 NXP B.V.