



# 6 GHz Tri-Band 4x4 Wi-Fi 6E (802.11ax) Solution

## CW641

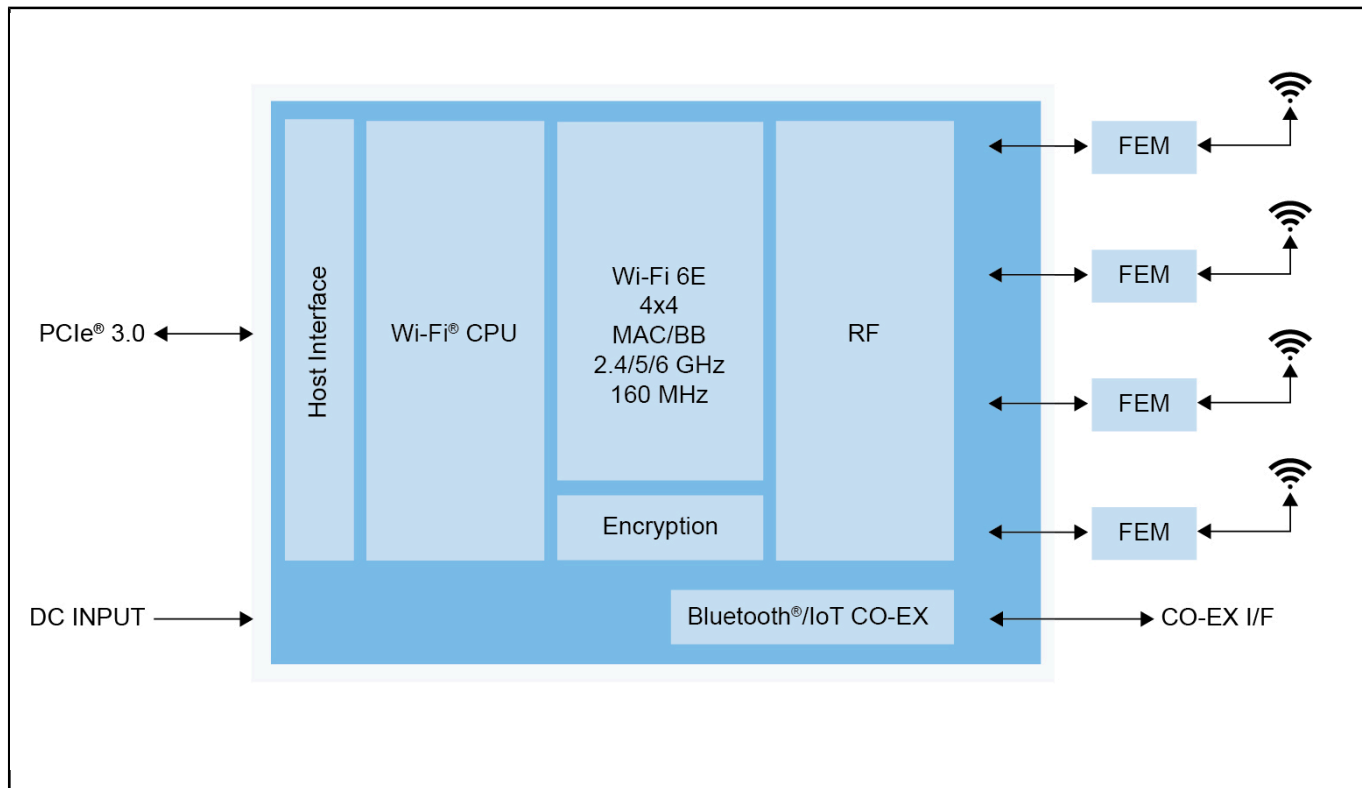
### **Not Recommended for New Designs**

This page contains information on a product that is not recommended for new designs.

Last Updated: Apr 13, 2022

This overview is left intentionally blank as it relates to a product not recommended for new designs.

## CW641 Block Diagram Block Diagram



View additional information for [6 GHz Tri-Band 4x4 Wi-Fi 6E \(802.11ax\) Solution](#).

**Note:** The information on this document is subject to change without notice.

[www.nxp.com](http://www.nxp.com)

NXP and the NXP logo are trademarks of NXP B.V. All other product or service names are the property of their respective owners. The related technology may be protected by any or all of patents, copyrights, designs and trade secrets. All rights reserved. © 2022 NXP B.V.