



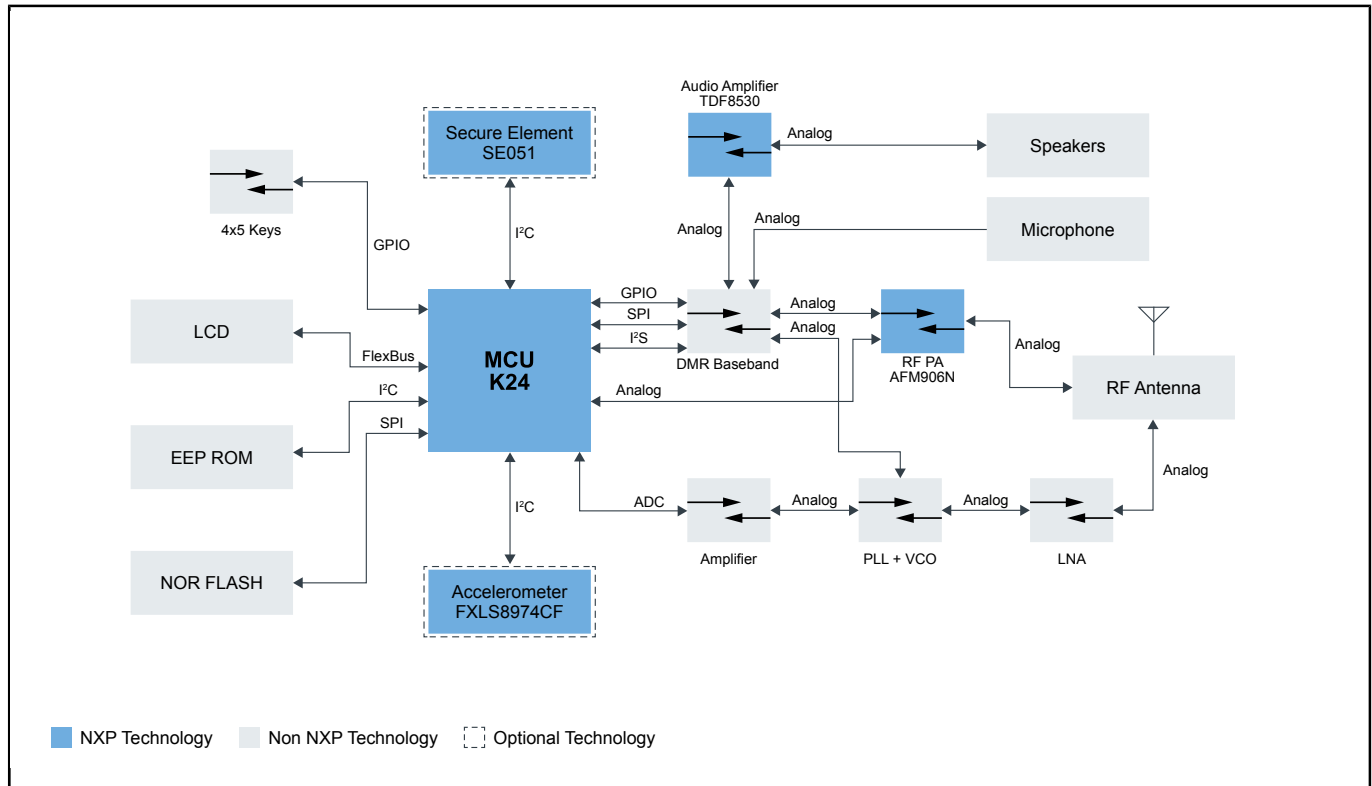
Digital Walkie Talkie

DIGITAL-WALKIE-TALKIE

Last Updated: Sep 9, 2024

The NXP Airfast® RF power portfolio brings extreme ruggedness and high gain to mobile radio applications. The high gain of our devices helps eliminate amplification stages and reduce system cost. Plus, the high efficiency of the portfolio allows customers to use smaller heatsinks and housing while improving reliability. The broadband capability of the mobile radio devices enables full performance across each band.

Digital Walkie Talkie Block Diagram



View additional information for [Digital Walkie Talkie](#).

Note: The information on this document is subject to change without notice.

www.nxp.com

NXP and the NXP logo are trademarks of NXP B.V. All other product or service names are the property of their respective owners. The related technology may be protected by any or all of patents, copyrights, designs and trade secrets. All rights reserved. © 2024 NXP B.V.