



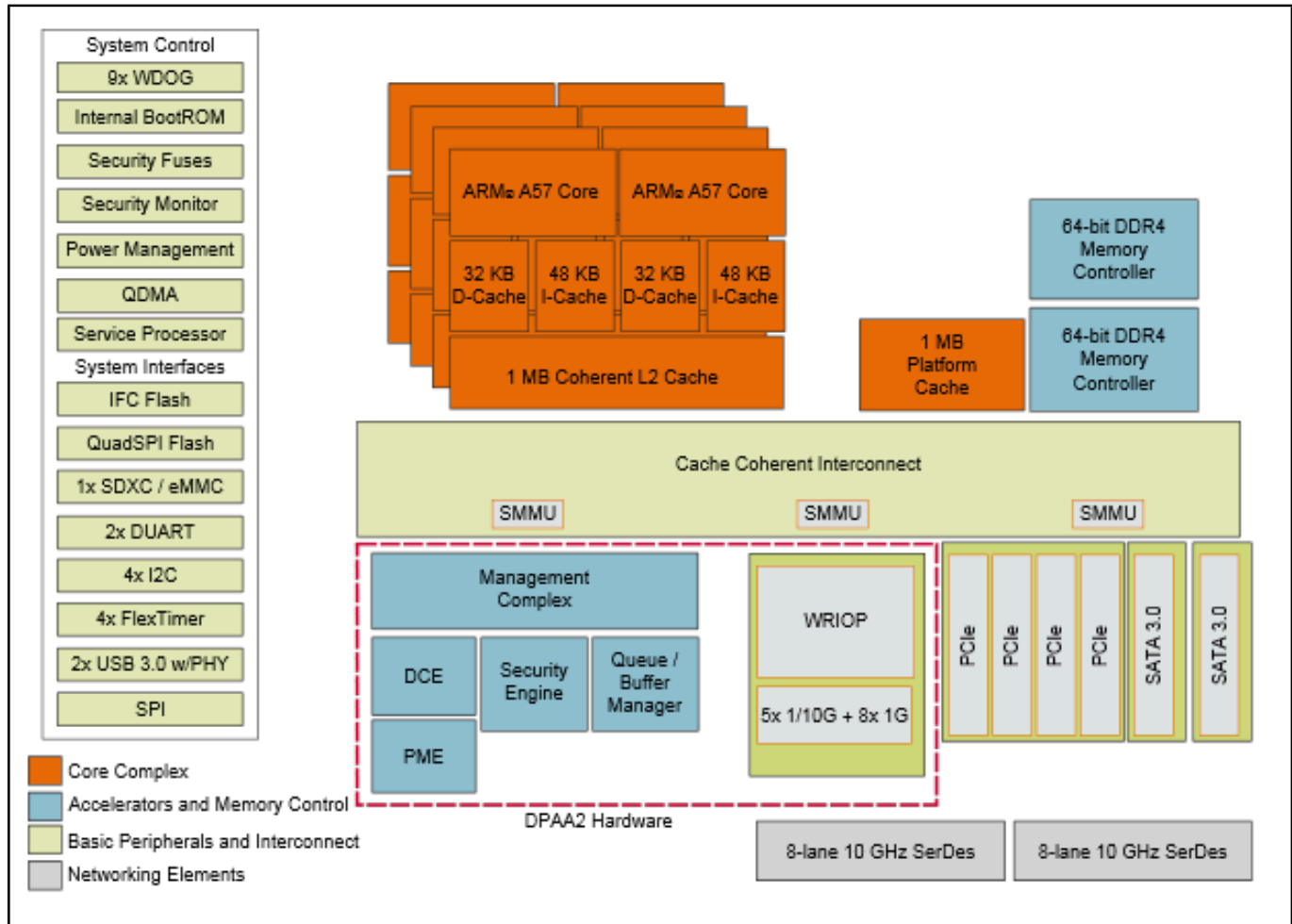
Second Generation Data Path Acceleration Architecture (DPAA2)

DPAA2

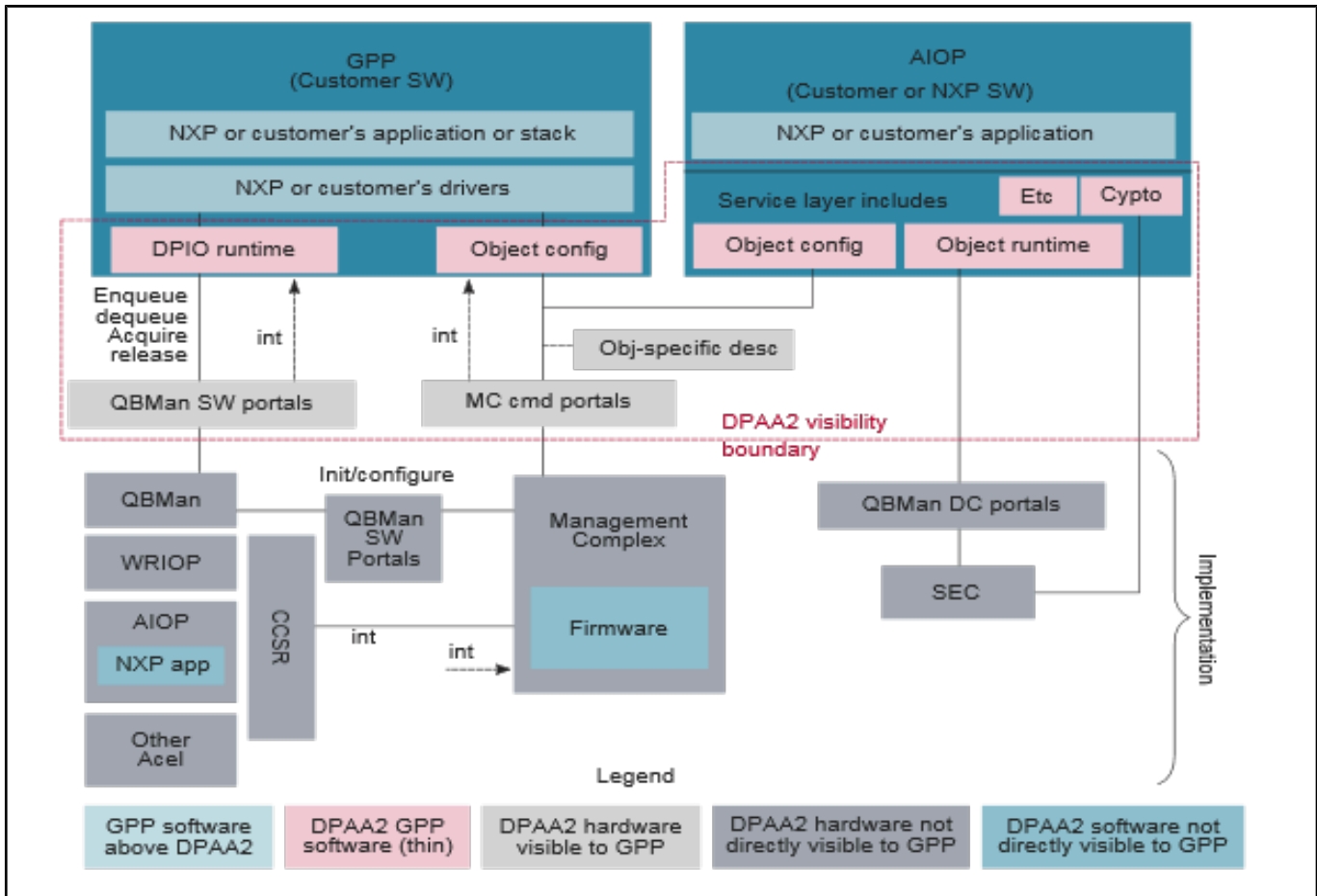
Last Updated: Apr 9, 2022

NXP has integrated data path and packet processing for more than twenty years. Working in concert with the general-purpose processors, DPAA2 enables very high networking performance while executing dynamic network functions: parse and classify, load-steering, network acceleration and multi-level prioritized queuing. The DPAA2 architecture is an evolution and extension of DPAA, taking a more holistic view of the full system architecture; it brings independent and more efficient operation to each level of packet processing.

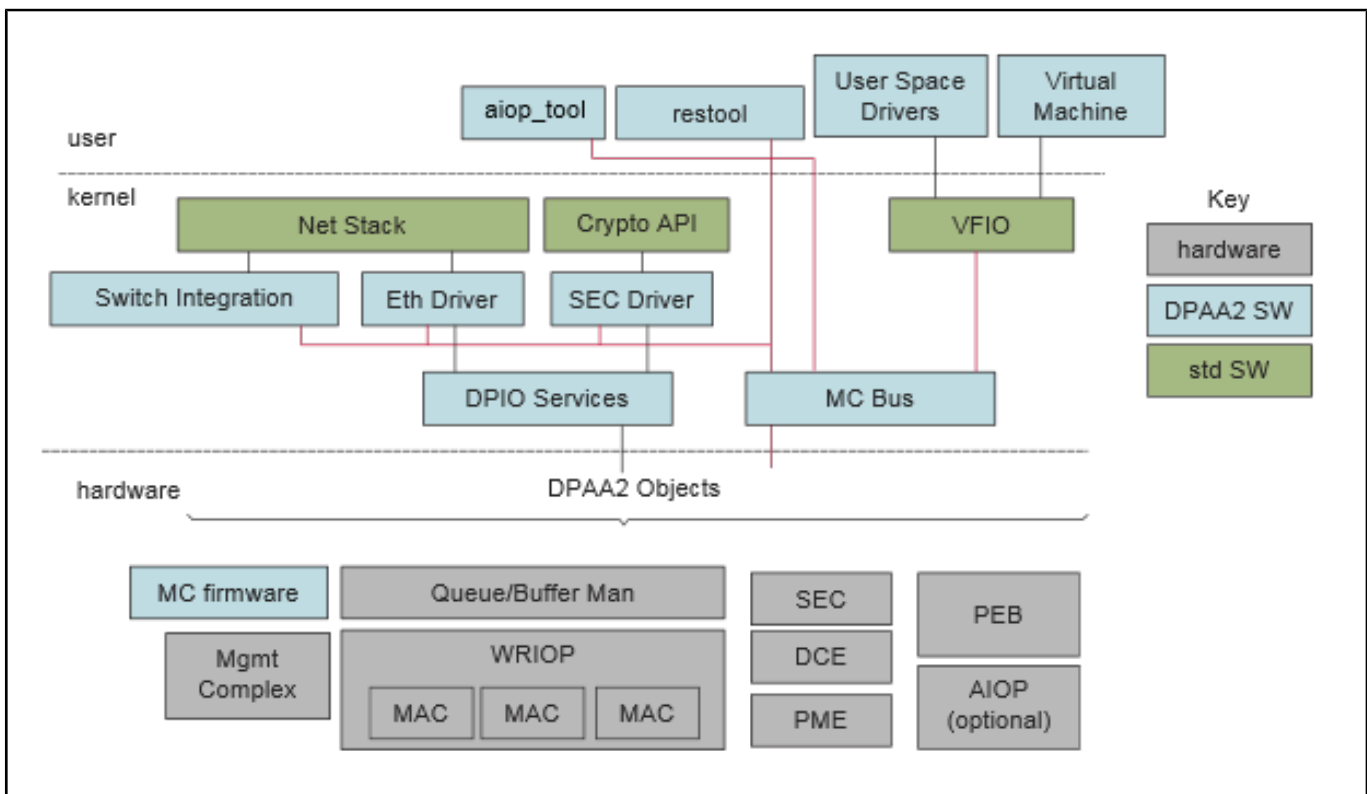
Layerscape DPAA2 Block Diagram



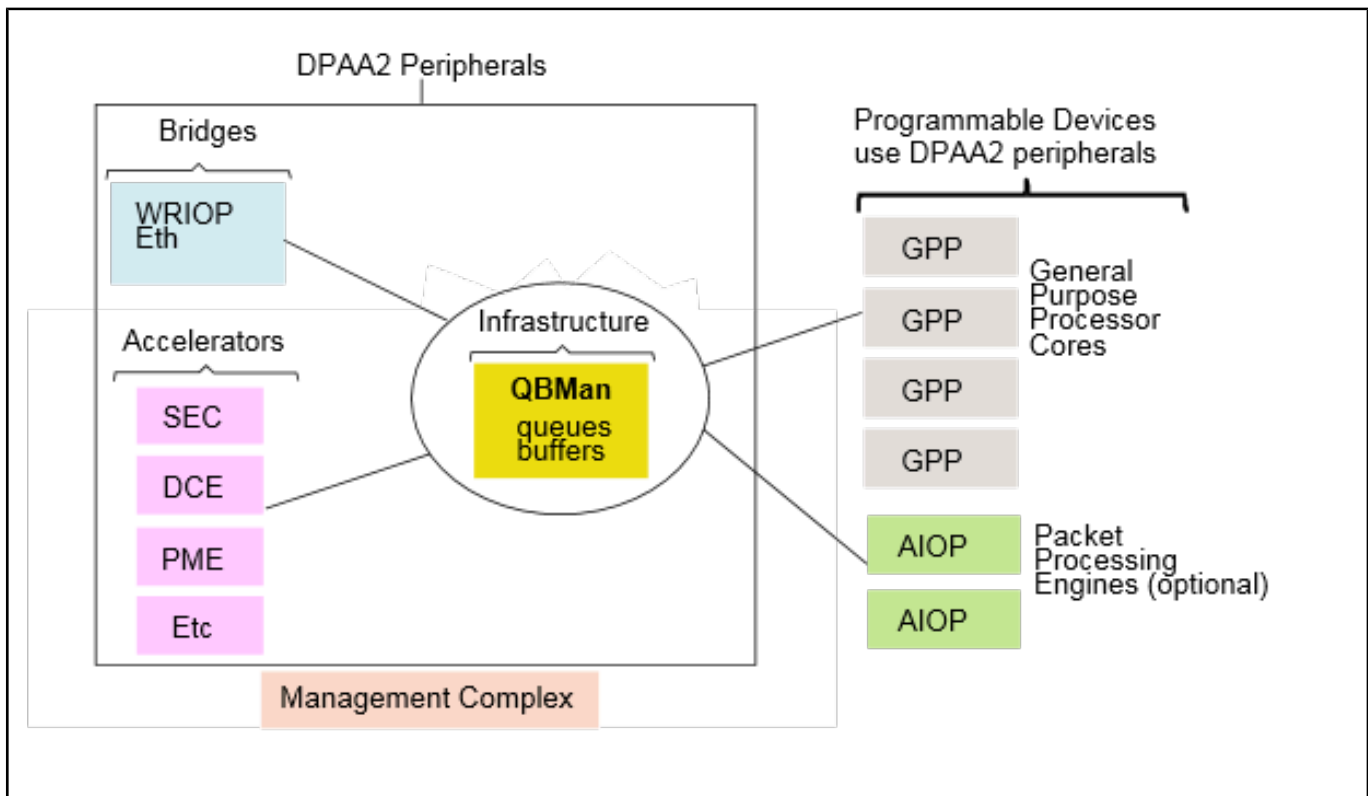
DPAA2 Visibility Boundary Block Diagram



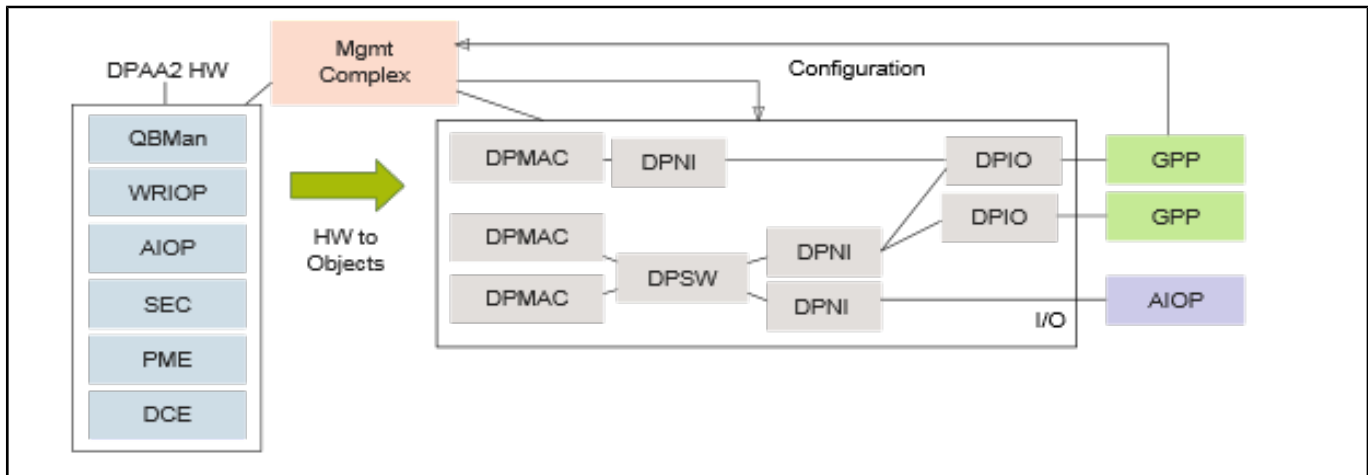
Linux DPAA2 Software Block Diagram



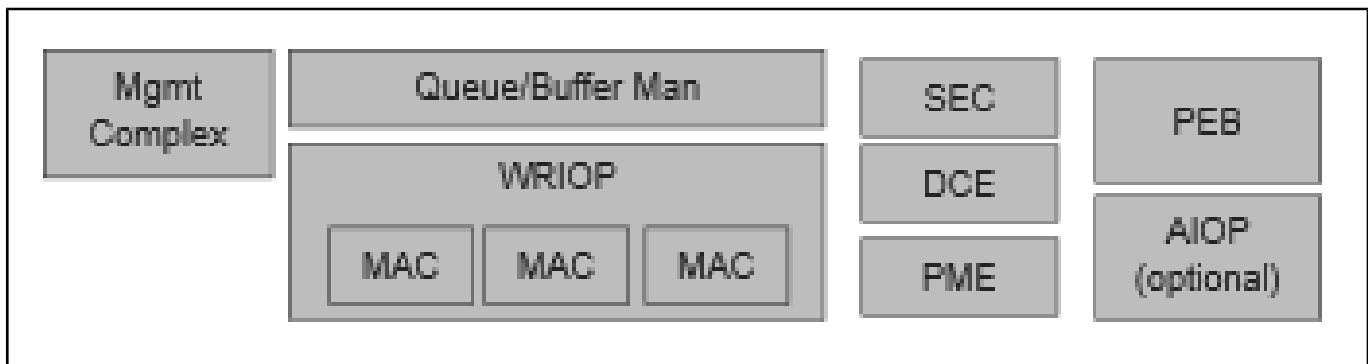
DPAA2 Hardware Block Diagram



DPAA Block Diagram Block Diagram



DPAA2 Hardware Component Block Diagram



View additional information for [Second Generation Data Path Acceleration Architecture \(DPAA2\)](#).

Note: The information on this document is subject to change without notice.

www.nxp.com

NXP and the NXP logo are trademarks of NXP B.V. All other product or service names are the property of their respective owners. The related technology may be protected by any or all of patents, copyrights, designs and trade secrets. All rights reserved. © 2024 NXP B.V.