



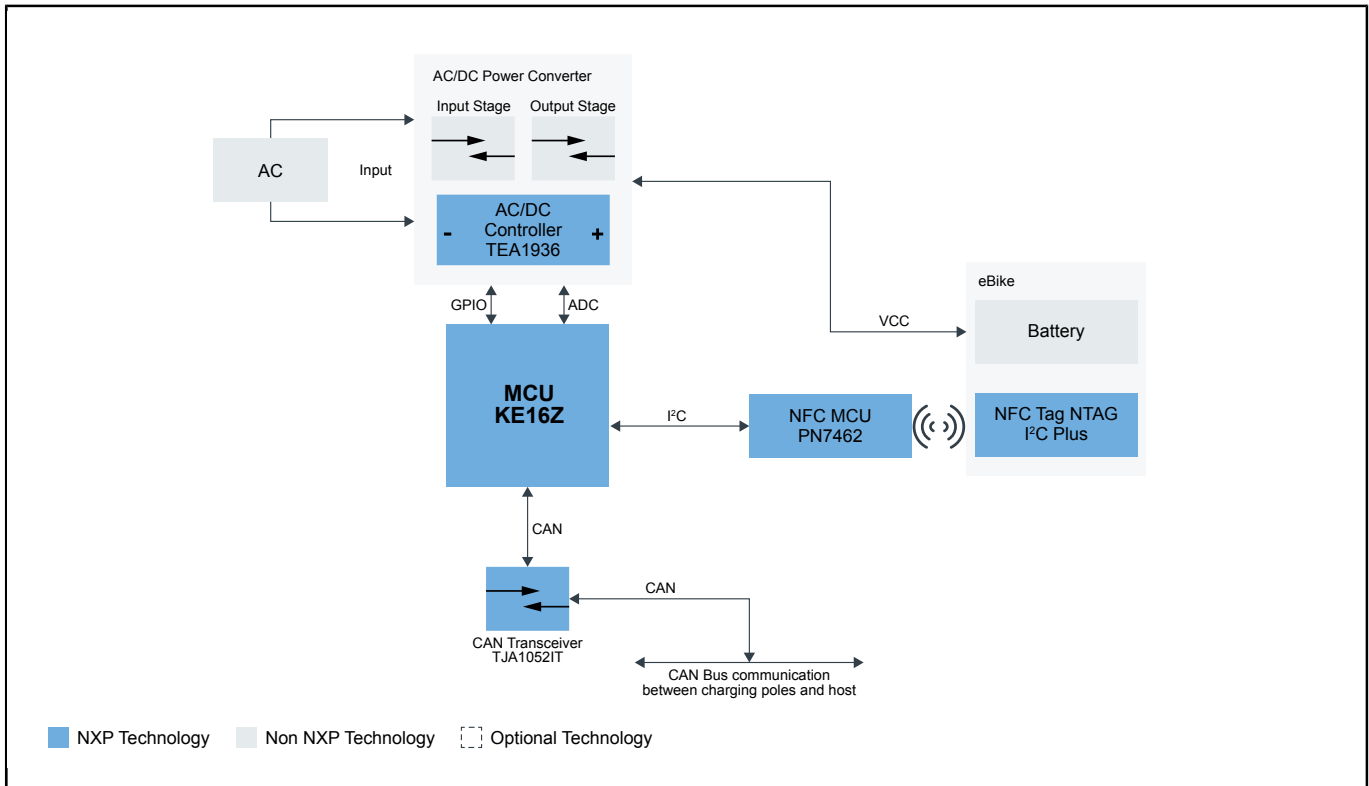
# eBike Charger

## EBIKECHGR

Last Updated: Apr 23, 2024

NXP's expertise provides trusted, secure identification and authentication solutions for intelligent transportation systems, helping to ensure people have full control over the technologies they depend on. This solution implements a Charger Pole Station for the E-Bike charger module with NFC authentication integrated And CAN Bus communication between charging pole and host based on a Kinetis KE16Z Microcontroller.

## eBike Charger Block Diagram



View additional information for [eBike Charger](#).

**Note:** The information on this document is subject to change without notice.

[www.nxp.com](http://www.nxp.com)

NXP and the NXP logo are trademarks of NXP B.V. All other product or service names are the property of their respective owners. The related technology may be protected by any or all of patents, copyrights, designs and trade secrets. All rights reserved. © 2024 NXP B.V.