



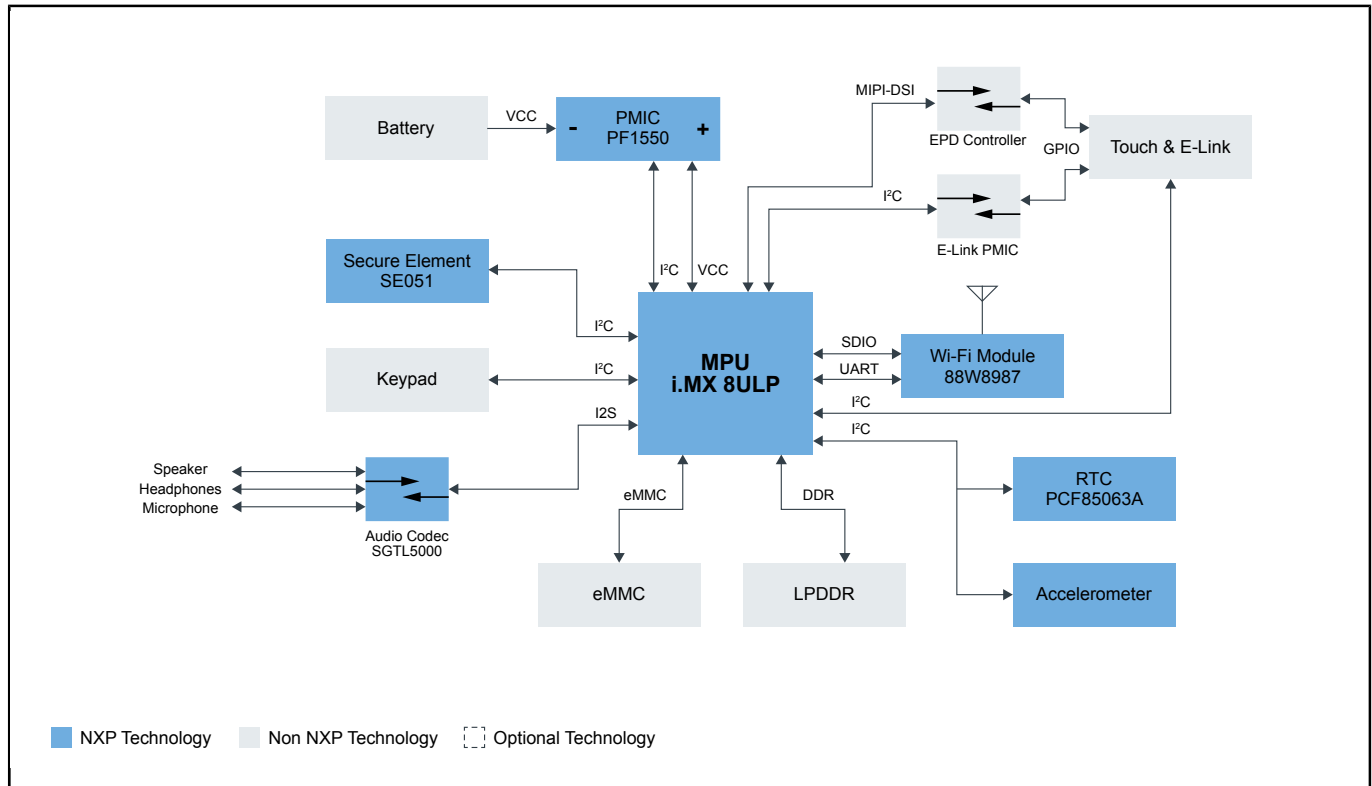
eBook Reader

EBOOKREADER

Last Updated: Oct 5, 2023

This NXP solution is a#mobile electronic device#that is designed primarily for the purpose of reading digital#e-books#and#paper news. Any device that can display text on a screen may act as an e-reader, however, specialized e-reader devices may optimize portability, readability, and battery life for this purpose.

eBook Reader Block Diagram



View additional information for [eBook Reader](#).

Note: The information on this document is subject to change without notice.

www.nxp.com

NXP and the NXP logo are trademarks of NXP B.V. All other product or service names are the property of their respective owners. The related technology may be protected by any or all of patents, copyrights, designs and trade secrets. All rights reserved. © 2024 NXP B.V.