



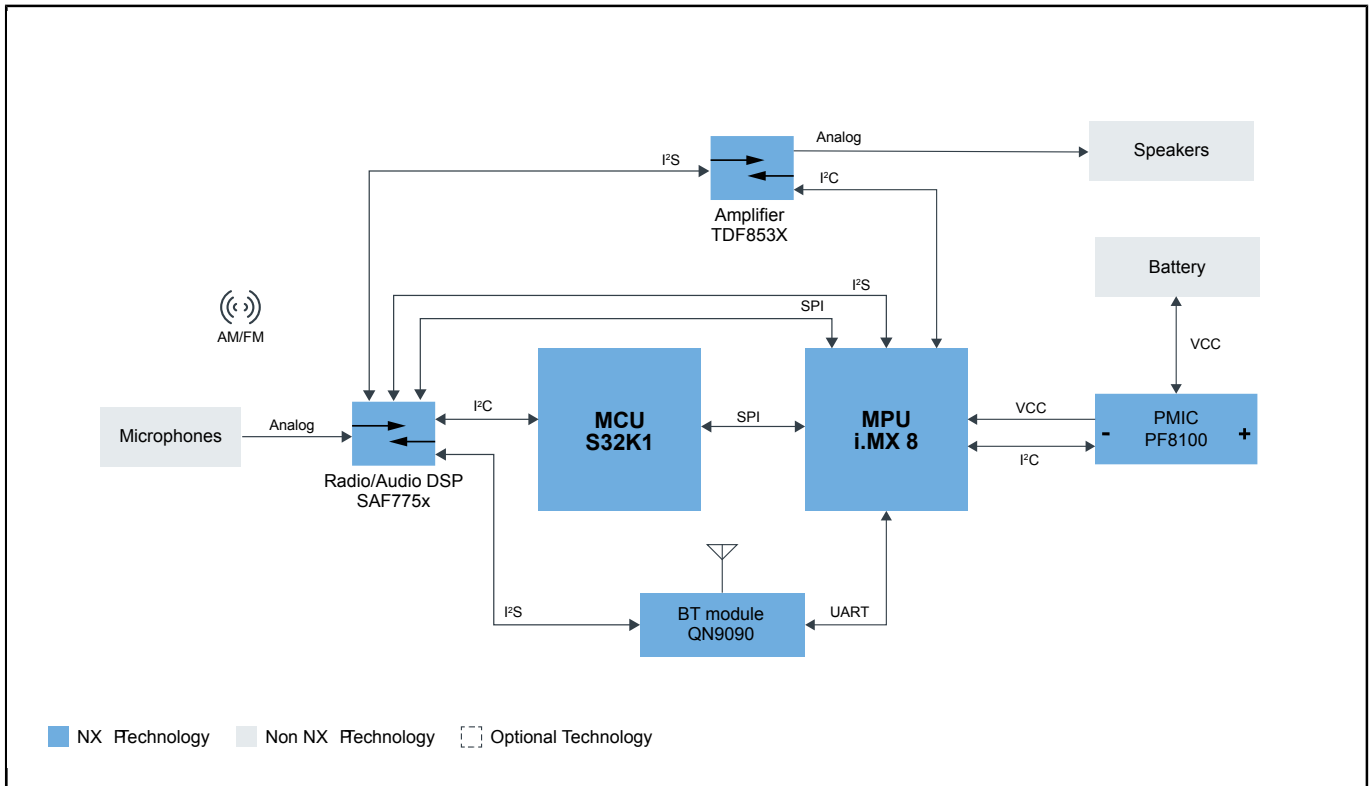
Echo Cancellation and Noise Reduction

ECNR

Last Updated: Apr 23, 2024

Together with broad portfolios of devices for receiving and processing audio, echo cancellation and noise reduction, NXP also provides Class-AB and Class-D amplifiers for automotive sound systems. These provide an increasing number of channels, high output power and high supply voltage, allowing maximum flexibility for customer designs reference software and hardware can be provided to customer to reduce the development cycle and speed up the time-to-market.

Echo Cancellation and Noise Reduction Block Diagram



View additional information for [Echo Cancellation and Noise Reduction](#).

Note: The information on this document is subject to change without notice.

www.nxp.com

NXP and the NXP logo are trademarks of NXP B.V. All other product or service names are the property of their respective owners. The related technology may be protected by any or all of patents, copyrights, designs and trade secrets. All rights reserved. © 2025 NXP B.V.