



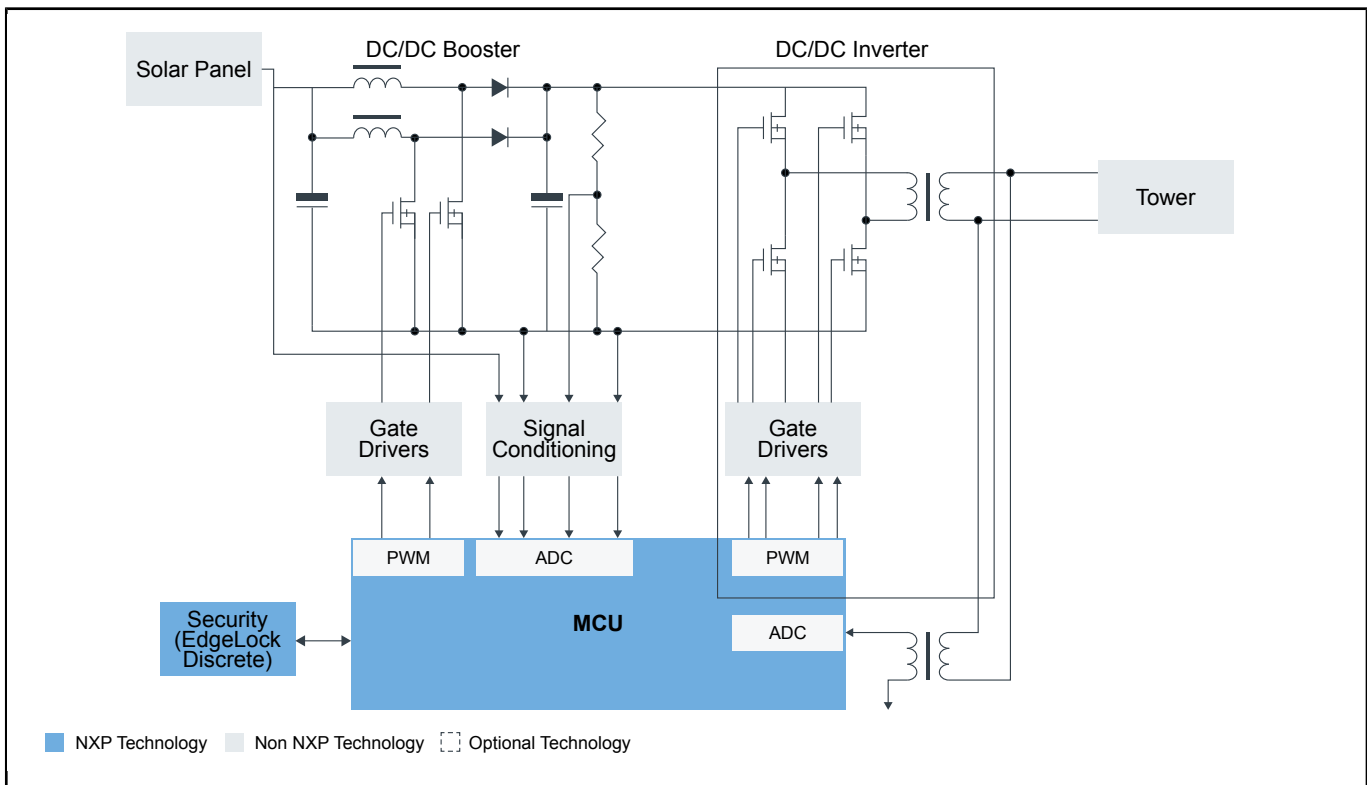
Electricity Generation

Last Updated: Oct 6, 2022

NXP offers different products for several solar power generation solutions such as inverters for large commercial and central utility power generation systems that supply AC power to the grid; residential grid-tie systems—the most common types of photovoltaic (PV) systems today; and off-grid solar power systems -- which provide both DC and AC output power without being connected to the utility grid.

These kinds of systems are the fastest growing part of the solar electric industry today, thanks to the continued reduction in the price of photovoltaic (PV) electricity and by favorable government policies.

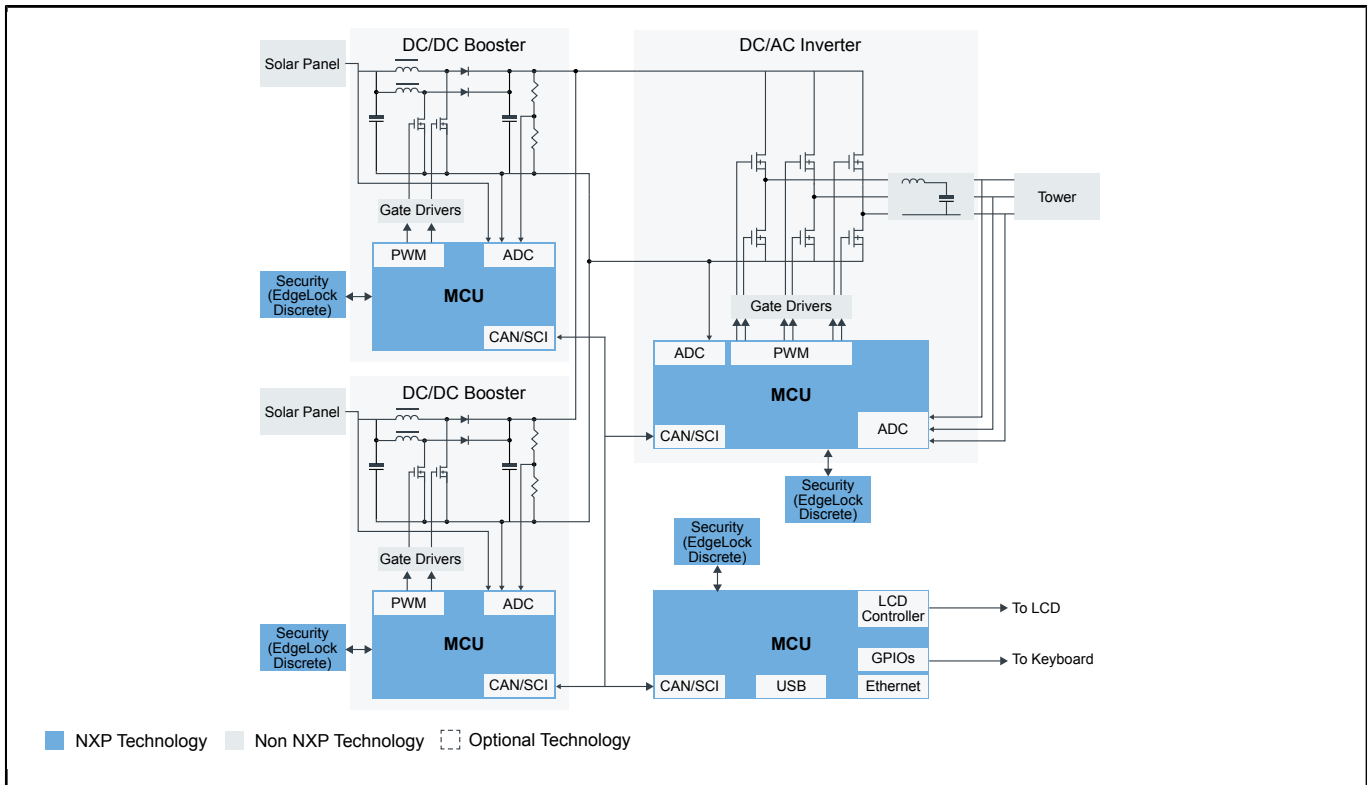
Commercial Solar Block Diagram



Recommended Products for Commercial Solar

MCU	<ul style="list-style-type: none"> • KV5x: Kinetis® KV5x-240 MHz, Motor Control and Power Conversion, Ethernet, MCUs based on Arm® Cortex®-M7 • MC56F84xxx: Digital Signal Controllers • MC56F82xxx: MC56F826xx and MC56F827xx Digital Signal Controllers
Security (EdgeLock Discrete)	<ul style="list-style-type: none"> • EdgeLock® SE050: Plug & Trust Secure Element Family – Enhanced IoT security with high flexibility

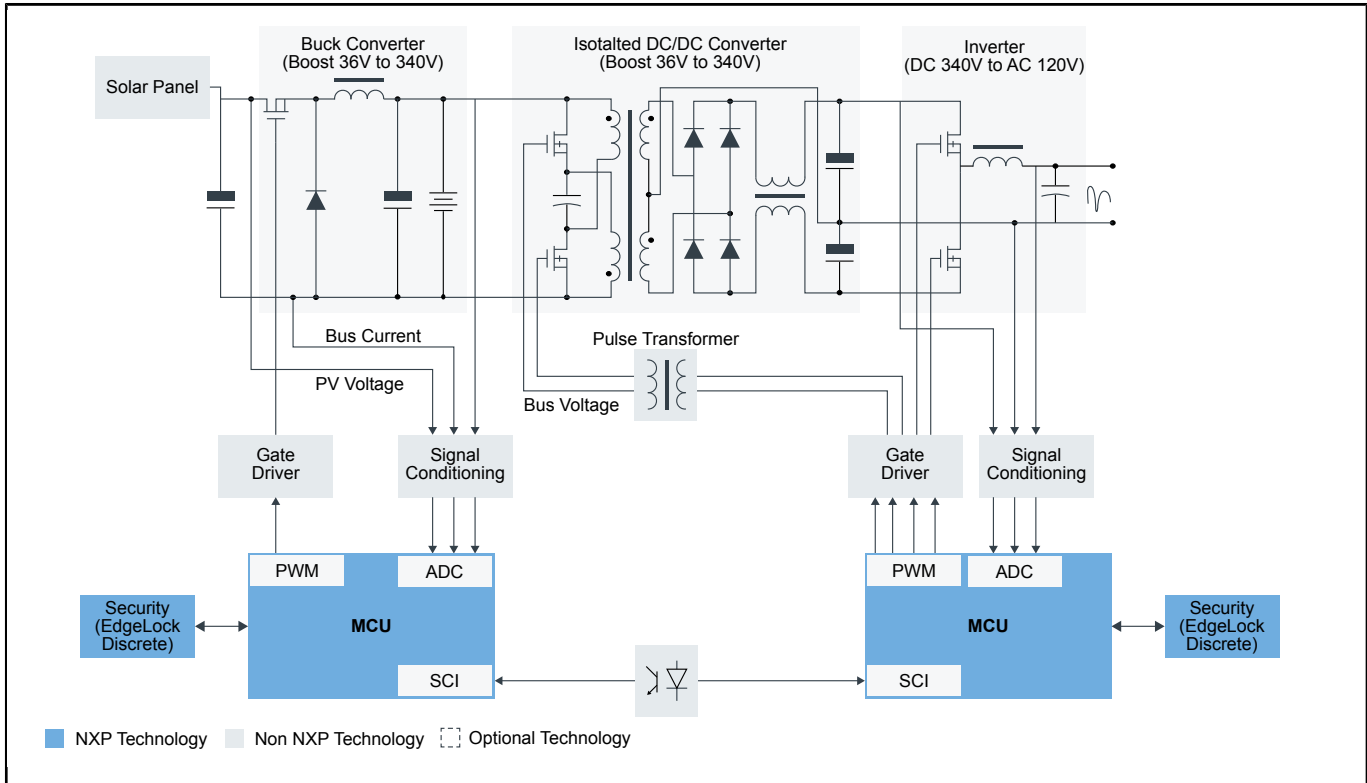
Residential Solar Block Diagram



Recommended Products for Residential Solar

MCU	<ul style="list-style-type: none"> • K70_120: Kinetis® K70-120–150 MHz, High-Speed USB, Ethernet, DDR and Anti-Tamper Microcontrollers Based on Arm® Cortex®-M4 Core • MC56F84xxx: Digital Signal Controllers • MC56F82xxx: MC56F826xx and MC56F827xx Digital Signal Controllers
Security (EdgeLock Discrete)	<ul style="list-style-type: none"> • EdgeLock® SE050: Plug & Trust Secure Element Family – Enhanced IoT security with high flexibility

Off-Grid Solar Block Diagram



Recommended Products for Off-Grid Solar

MCU	<ul style="list-style-type: none"> • MC56F84xxx: Digital Signal Controllers • MC56F82xxx: MC56F826xx and MC56F827xx Digital Signal Controllers
Security (EdgeLock Discrete)	<ul style="list-style-type: none"> • EdgeLock® SE050: Plug & Trust Secure Element Family – Enhanced IoT security with high flexibility

View our complete solution for [Electricity Generation](#).

Note: The information on this document is subject to change without notice.

www.nxp.com

NXP and the NXP logo are trademarks of NXP B.V. All other product or service names are the property of their respective owners. The related technology may be protected by any or all of patents, copyrights, designs and trade secrets. All rights reserved. © 2023 NXP B.V.