

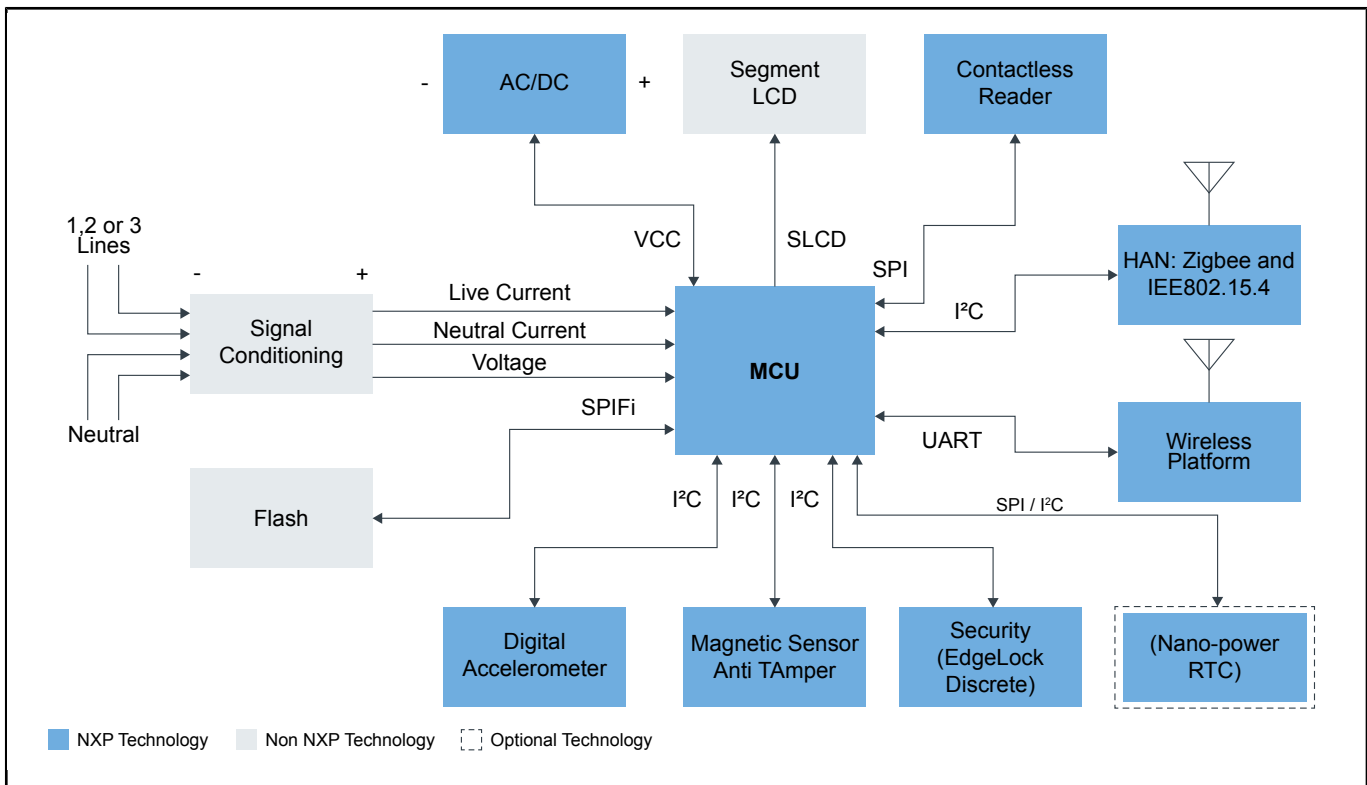


Electricity Meter

Last Updated: Sep 5, 2024

NXP® metering technology enables one-phase, two-phase, and three-phase electricity meters used for measurement and registration of active, reactive, and apparent energy in residential and commercial metering applications. Along with its connectivity solutions for smart metering – like IEEE 802.15.4, ZigBee and Bluetooth Low Energy - NXP addresses the challenges smart cities face for reliable, secure communications for remote metering and home energy management.

Electricity Meter Block Diagram



Recommended Products for Electricity Meter

MCU

- [MCX A13x, 14x, 15x MCUs with Arm® Cortex® M33, Scalable Device Options, Low Power and Intelligent Peripherals](#)
- [MCX-N94X-N54X: MCX N94x/54x Highly Integrated Multicore MCUs with On-Chip Accelerators, Intelligent Peripherals and Advanced Security](#)
- [KM3x: 50–75 MHz Precision Metrology MCUs with Segment LCDs Based on Arm® Cortex®-M0+](#)

Sensors	<ul style="list-style-type: none"> • FXLS8974CF: $\pm 2g/\pm 4g/\pm 8g/\pm 16g$, Low-Power 12-Bit Digital IoT Accelerometer • FXLS8971CF: $\pm 2g/\pm 4g/\pm 8g/\pm 16g$, Low Power 12-Bit Digital Accelerometer • NMH1000: NMH1000 Ultra-Low Power and Low-Voltage Magnetic Switch
Sensors	<ul style="list-style-type: none"> • FXLS8974CF: $\pm 2g/\pm 4g/\pm 8g/\pm 16g$, Low-Power 12-Bit Digital IoT Accelerometer
Security (EdgeLock Discrete)	<ul style="list-style-type: none"> • SE050: EdgeLock® SE050: Plug and Trust Secure Element Family – Enhanced IoT Security with High Flexibility • SE051: EdgeLock® SE051: Proven, Easy-to-Use IoT Security Solution with Support for Updatability and Custom Applets • EDGELOCK-A5000: EdgeLock® A5000 Plug and Trust Secure Authenticator: Authentication Made Secure, Scalable and Easy
Zigbee	<ul style="list-style-type: none"> • JN5169: ZigBee and IEEE802.15.4 Wireless Microcontroller with 512 KB Flash, 32 KB RAM
NFC	<ul style="list-style-type: none"> • PN5190: NFC Frontend supporting challenging RF environment for payment, physical access control
Power Management	<ul style="list-style-type: none"> • TEA1721AT: HV Start-Up Flyback Controller with Integrated MOSFET for 5 W Applications, F~burst = 430 Hz
Wireless Platform	<ul style="list-style-type: none"> • OL2385AHN: Low-Power Multi-Channel UHF RF Wireless Platform • TDA5051AT: Home Automation Modem
RTC	<ul style="list-style-type: none"> • PCF2131: Nano-Power Highly Accurate RTC with Integrated Quartz Crystal

View our complete solution for [Electricity Meter](#).

Note: The information on this document is subject to change without notice.

www.nxp.com

NXP and the NXP logo are trademarks of NXP B.V. All other product or service names are the property of their respective owners. The related technology may be protected by any or all of patents, copyrights, designs and trade secrets. All rights reserved. © 2025 NXP B.V.