



Circuit Breaker

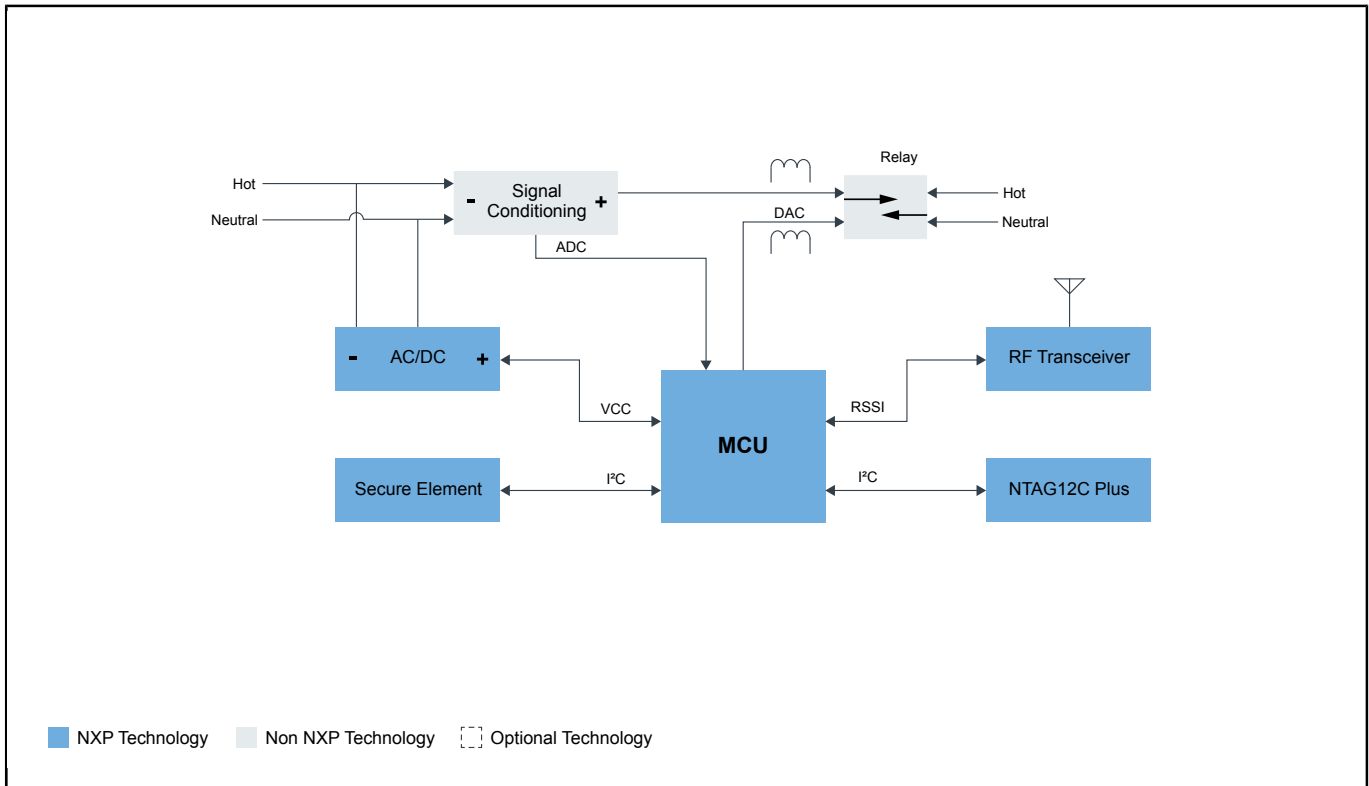
FAULT-CIRCUIT-BREAKER

Last Updated: Sep 28, 2023

An Arc fault circuit breaker is an automatically operated electrical switch designed to protect an electrical circuit from damage caused by excess current, typically resulting from an overload or short circuit.

Its basic function is to interrupt current flow after an arc fault is detected.

Circuit Breaker Block Diagram



View additional information for [Circuit Breaker](#).

Note: The information on this document is subject to change without notice.

www.nxp.com

NXP and the NXP logo are trademarks of NXP B.V. All other product or service names are the property of their respective owners. The related technology may be protected by any or all of patents, copyrights, designs and trade secrets. All rights reserved. © 2024 NXP B.V.