



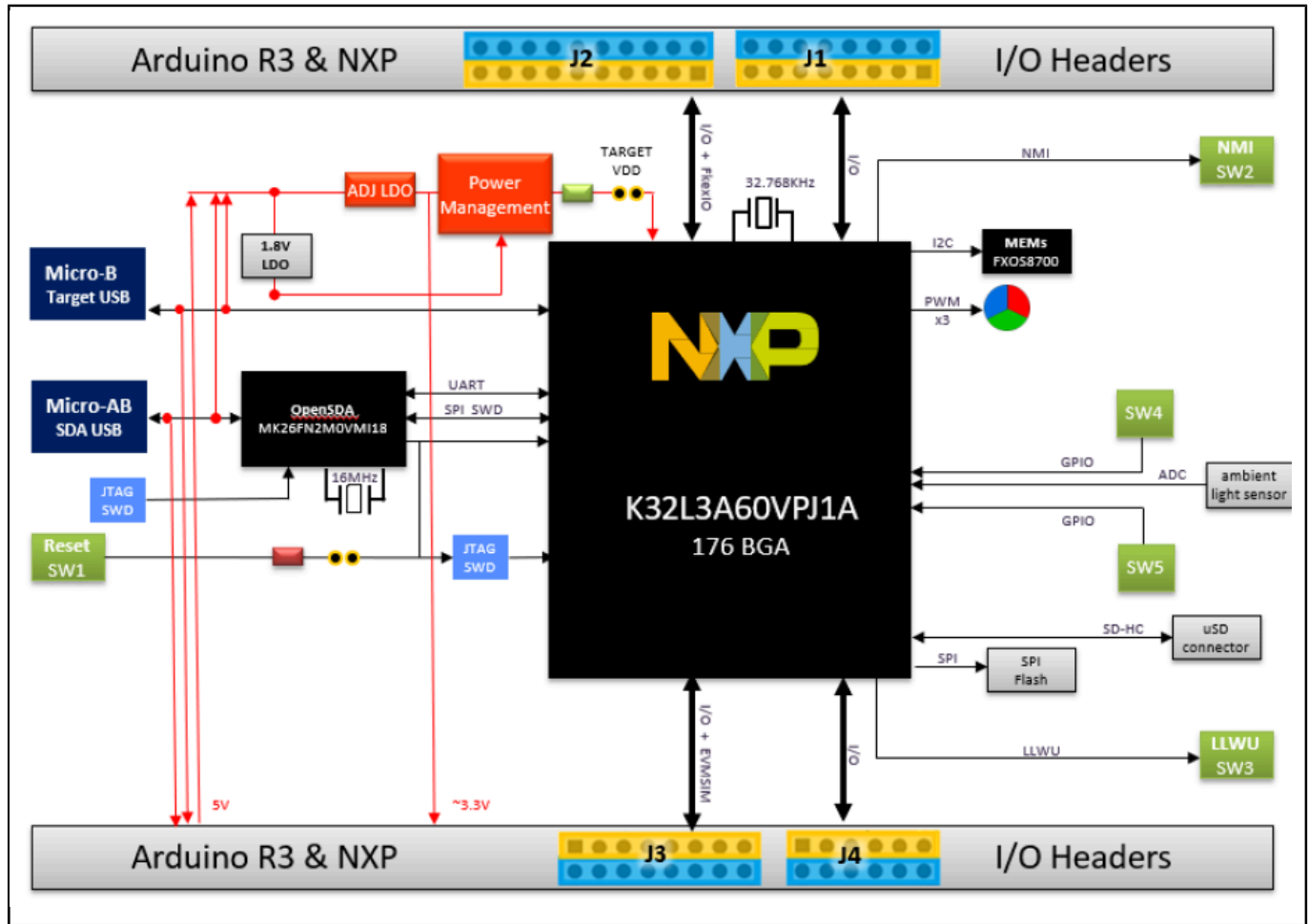
# **NXP Freedom Development Platform for K32 L3 MCUs**

## **FRDM-K32L3A6**

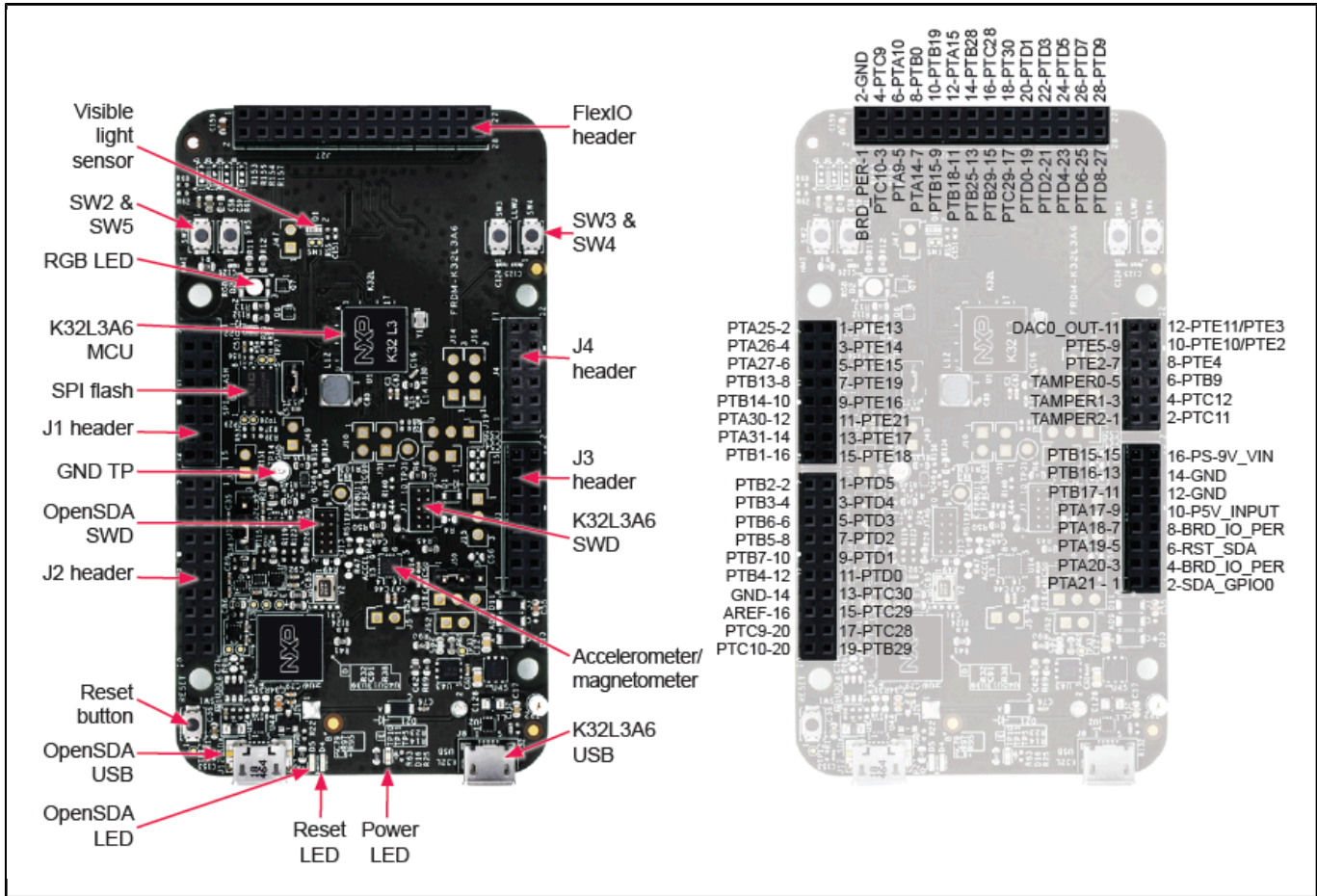
Last Updated: Jul 27, 2022

The FRDM-K32L3A6 development board consists of the K32L3A6 device with a 32-Mbit external serial flash, FXOS8700 accelerometer/magnetometer, visible light sensor, SDHC circuit, general purpose LEDs, and general purpose push buttons in the popular Freedom board form-factor.

# FRDM-K32L3A6 Schematic Block Diagram



# FRDM-K32L3A6 Callout Block Diagram



View additional information for [NXP Freedom Development Platform for K32 L3 MCUs](#).

**Note:** The information on this document is subject to change without notice.

[www.nxp.com](http://www.nxp.com)

NXP and the NXP logo are trademarks of NXP B.V. All other product or service names are the property of their respective owners. The related technology may be protected by any or all of patents, copyrights, designs and trade secrets. All rights reserved. © 2022 NXP B.V.