



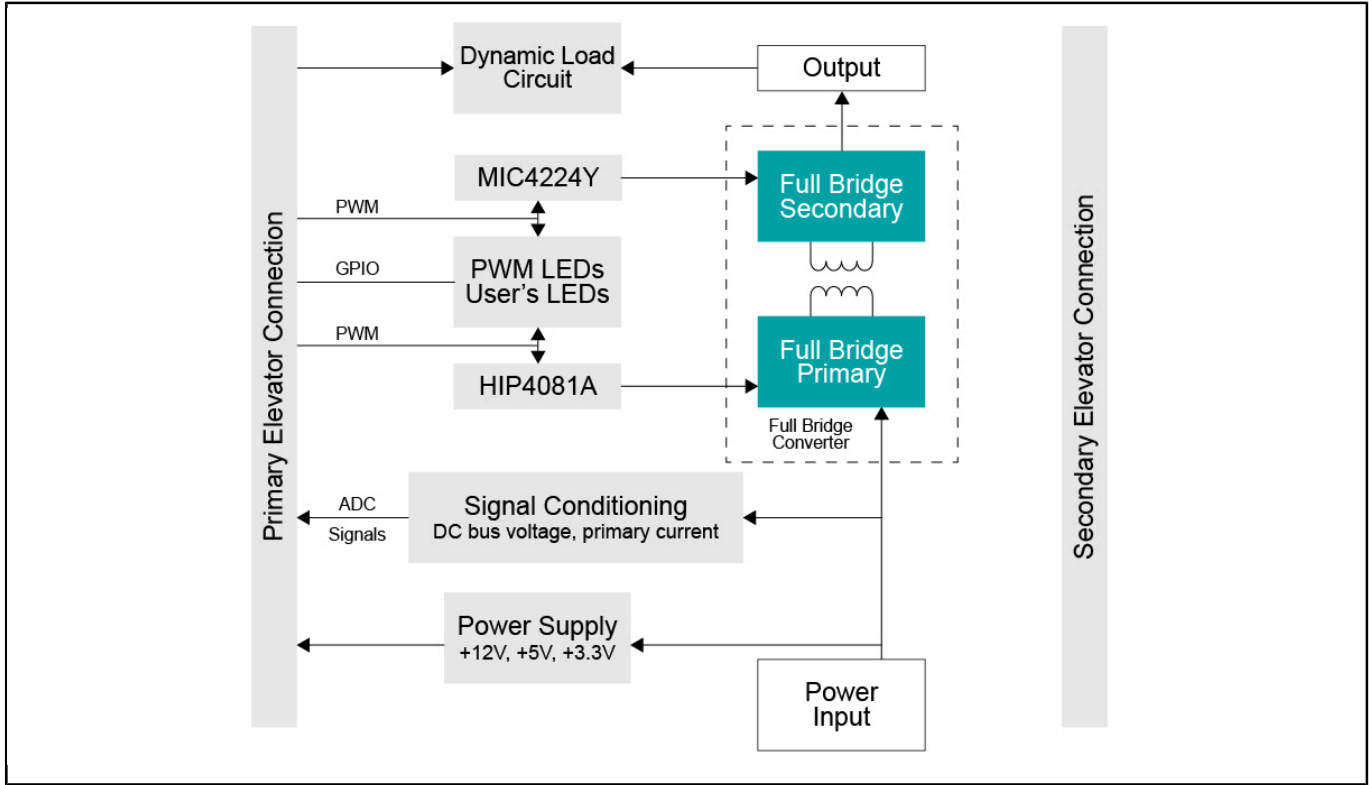
KV Series Full-Bridge DC-DC Switch Mode Power Supply (SMPS)

FULL-BRIDGE-SMPS

Last Updated: Sep 1, 2022

The full-bridge DC-DC switch mode power supply reference design is based on V series MCUs and intended to provide the example of power conversion applications. The full-bridge DC-DC converter is a transformer-isolated buck converter. The full-bridge topology contains full-bridge inverter block, transformer, synchronous rectification block, and filter.

DC-DC Block Diagram



View additional information for [KV Series Full-Bridge DC-DC Switch Mode Power Supply \(SMPS\)](#).

Note: The information on this document is subject to change without notice.

www.nxp.com

NXP and the NXP logo are trademarks of NXP B.V. All other product or service names are the property of their respective owners. The related technology may be protected by any or all of patents, copyrights, designs and trade secrets. All rights reserved. © 2022 NXP B.V.