



# NXP® Analog Accelerometers

## FXLN83xxQ

### Not Recommended for New Designs

This page contains information on a product that is not recommended for new designs.

Last Updated: Feb 29, 2024

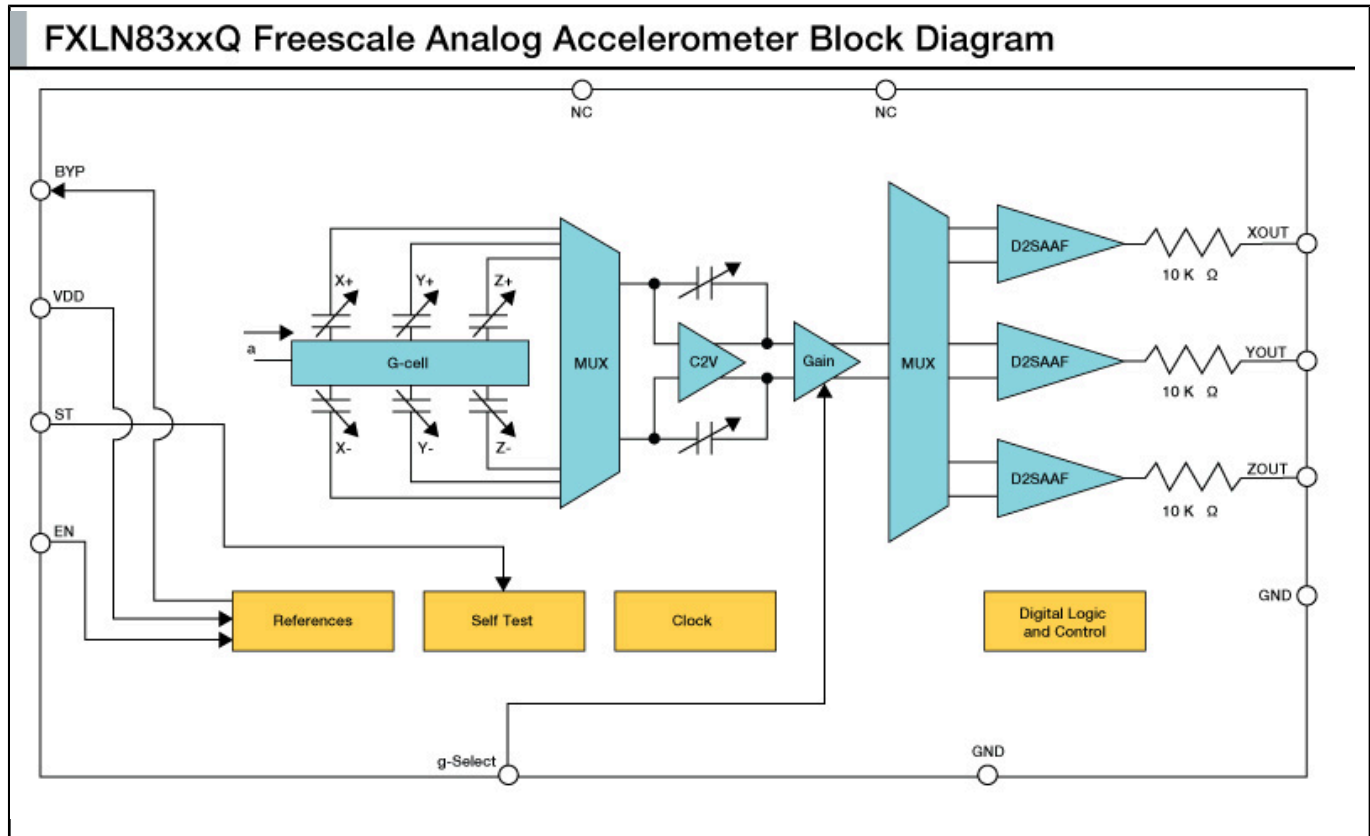
FXLN83xxQ is EOL and not recommended for new designs. NXP recommends that customers consider [FXLS8971CF](#) or [FXLS8974CF](#) as functional replacements.

In cases where FXLN83xxQ is absolutely required, customers may reach out to Rochester electronics to check available stock.

The NXP® FXLN83xxQ analog accelerometers are designed to support analog capability for industrial, medical tamper detection applications.

- Provide interface compatibility and simplicity for low-voltage MCUs
- Excellent analog performance
- The FXLN83xxQ accelerometers are part of the NXP Longevity Program

# 30282\_FXLN83XXQ\_BD Block Diagram



View additional information for [NXP® Analog Accelerometers](#).

Note: The information on this document is subject to change without notice.

[www.nxp.com](http://www.nxp.com)

NXP and the NXP logo are trademarks of NXP B.V. All other product or service names are the property of their respective owners. The related technology may be protected by any or all of patents, copyrights, designs and trade secrets. All rights reserved. © 2024 NXP B.V.