



Automotive Engine Management and Fuel Efficiency Control Absolute Pressure Sensor (40 to 115 kPa)

FXPS7115D4

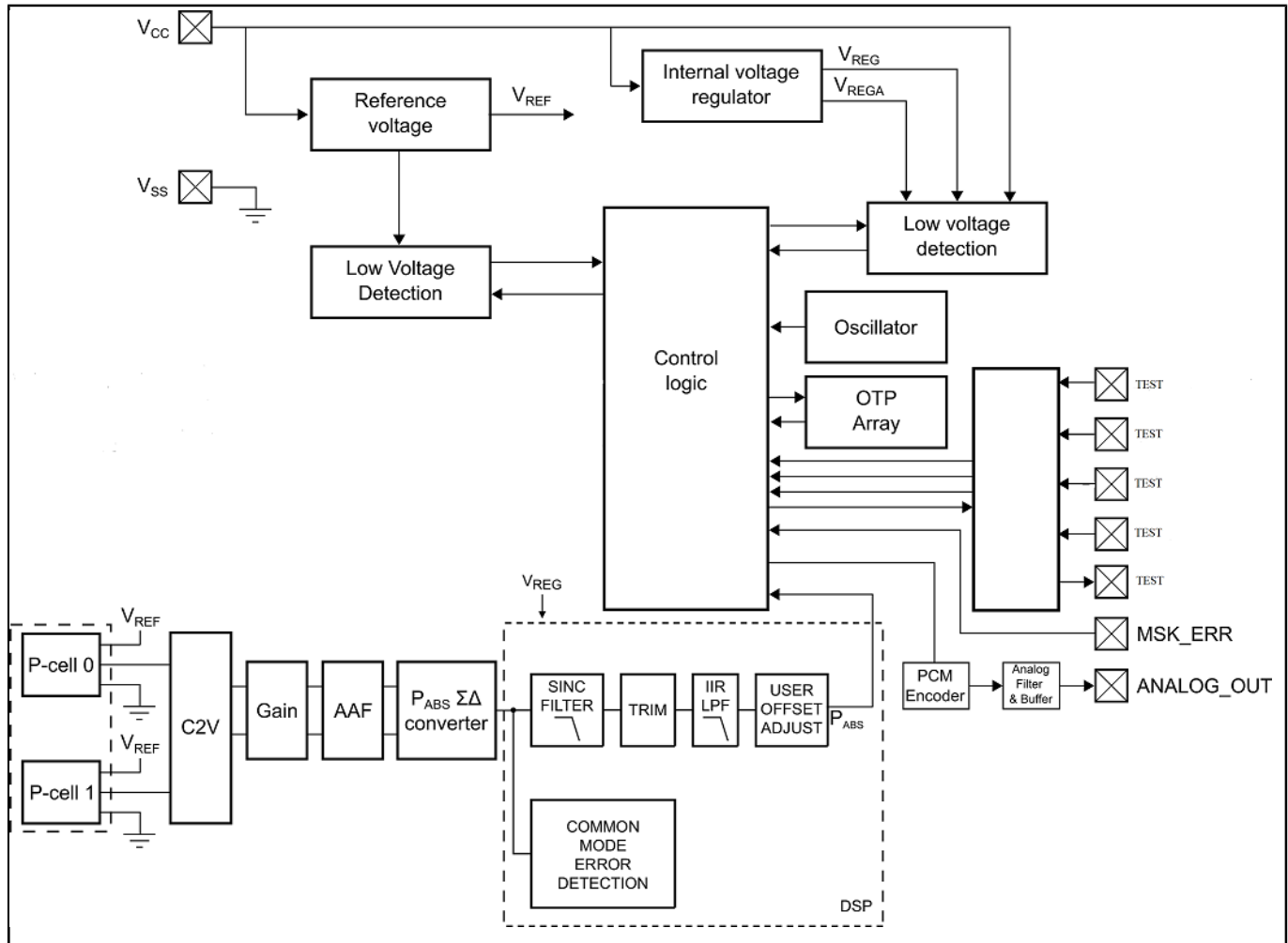
Last Updated: Dec 17, 2024

FXPS7115DI4ST1 and FXPS7115DS4ST1 are the recommend devices for new designs as the FXPS7115DI4T1 and FXPS7115DS4T1 are discontinued.

The FXPS7115D4 high-performance, high-precision Barometric Absolute Pressure (BAP) sensor consists of a compact capacitive MEMS device coupled with a digital Integrated Circuit producing a fully calibrated digital output.

The sensor operates over a pressure range of 40 kPa to 115 kPa and a temperature range of -40°C to 130°C . Its AEC-Q100 compliance, high accuracy, reliable performance and high media resistivity make it ideal for use in automotive, industrial, and consumer applications.

FXPS7115D4 Barometric Absolute Pressure (BAP) sensor Block Diagram



View additional information for [Automotive Engine Management and Fuel Efficiency Control Absolute Pressure Sensor \(40 to 115 kPa\)](#).

Note: The information on this document is subject to change without notice.

www.nxp.com

NXP and the NXP logo are trademarks of NXP B.V. All other product or service names are the property of their respective owners. The related technology may be protected by any or all of patents, copyrights, designs and trade secrets. All rights reserved. © 2025 NXP B.V.