



# GreenBox 3 Real-Time Development Platform

## GREENBOX-3

### Preproduction

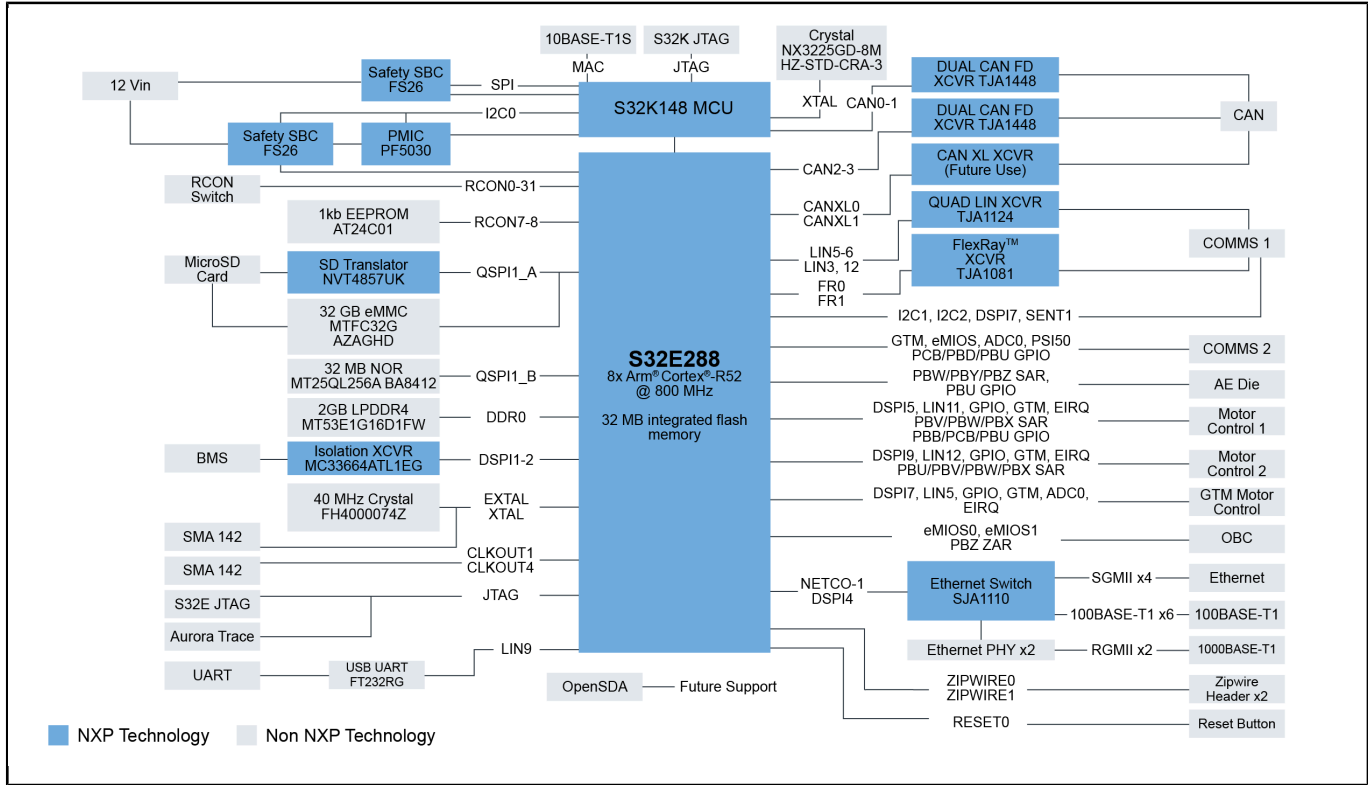
This page contains information on a preproduction product. Specifications and information herein are subject to change without notice. For additional information [contact support](#) or your sales representative.

Last Updated: Jul 18, 2022

GreenBox 3 is a versatile development platform for S32Z2/E2 high-performance real-time processors which integrates processing, peripherals, networking and connectivity interfaces in a rugged enclosure.

The GreenBox 3 is ideal for development and demonstrations of integrated and isolated real-time applications, such as vehicle dynamics, battery and energy management, motor inverter control and power conversion for central, domain and zonal architectures.

# GreenBox 3 Real-Time Development Platform Block Diagram Block Diagram



View additional information for [GreenBox 3 Real-Time Development Platform](#).

**Note:** The information on this document is subject to change without notice.

[www.nxp.com](http://www.nxp.com)

NXP and the NXP logo are trademarks of NXP B.V. All other product or service names are the property of their respective owners. The related technology may be protected by any or all of patents, copyrights, designs and trade secrets. All rights reserved. © 2022 NXP B.V.