



# 2-Bit Bidirectional Low Voltage Translator

## GTL2002DC

### Not Recommended for New Designs

This page contains information on a product that is not recommended for new designs.

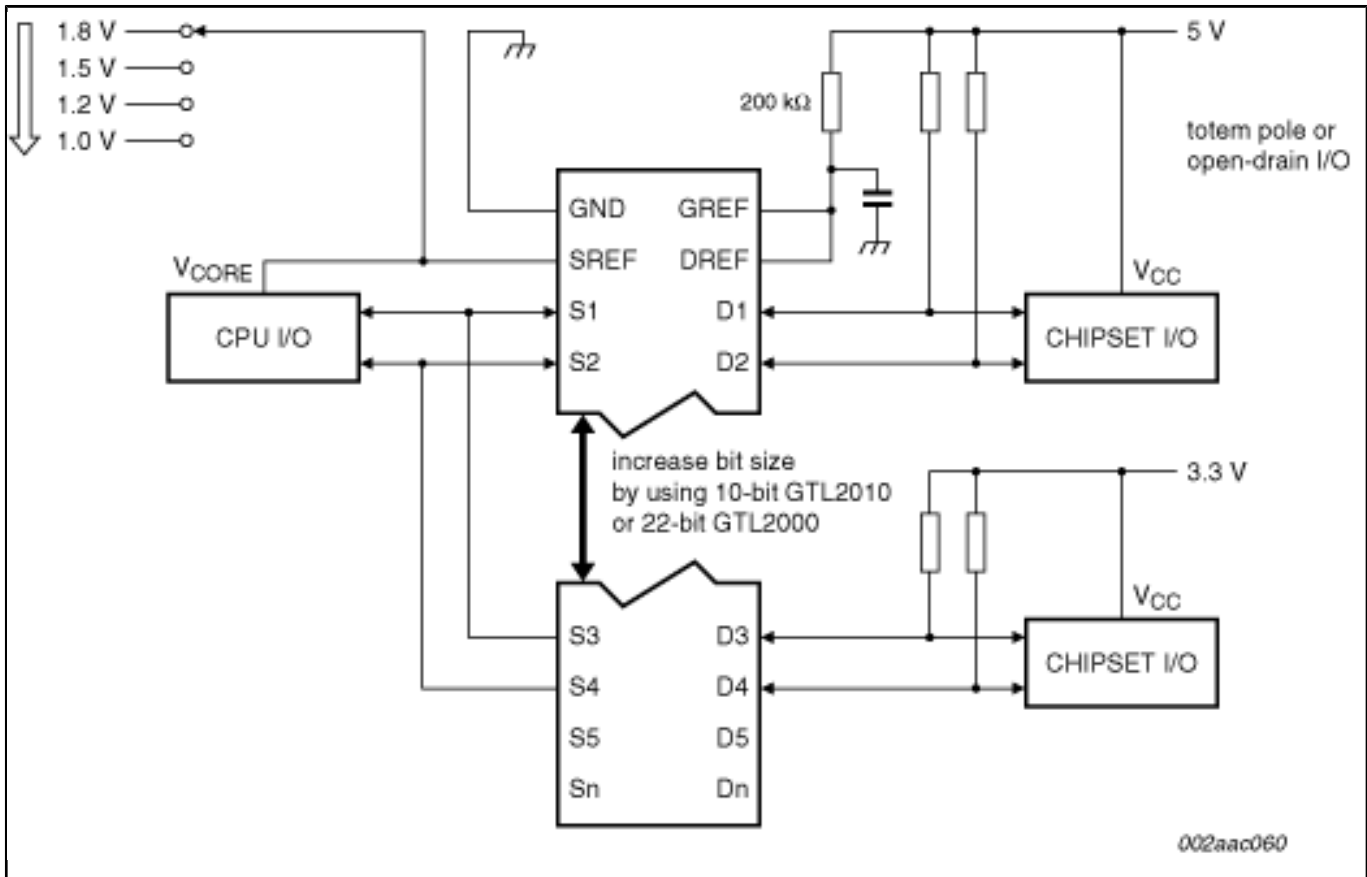
Last Updated: Aug 9, 2022

The Gunning Transceiver Logic - Transceiver Voltage Clamps (GTL-TVC) provide high-speed voltage translation with low ON-state resistance and minimal propagation delay. The GTL2002 provides 2 NMOS pass transistors ( $S_n$  and  $D_n$ ) with a common gate (GREF) and a reference transistor (SREF and DREF). The device allows bidirectional voltage translations between 1.0 V and 5.0 V without use of a direction pin.

When the  $S_n$  or  $D_n$  port is LOW the clamp is in the ON-state and a low resistance connection exists between the  $S_n$  and  $D_n$  ports. Assuming the higher voltage is on the  $D_n$  port, when the  $D_n$  port is HIGH, the voltage on the  $S_n$  port is limited to the voltage set by the reference transistor (SREF). When the  $S_n$  port is HIGH, the  $D_n$  port is pulled to VCC by the pull-up resistors. This functionality allows a seamless translation between higher and lower voltages selected by the user, without the need for directional control.

All transistors have the same electrical characteristics and there is minimal deviation from one output to another in voltage or propagation delay. This is a benefit over discrete transistor voltage translation solutions, since the fabrication of the transistors is symmetrical. Because all transistors in the device are identical, SREF and DREF can be located on any of the other two matched  $S_n/D_n$  transistors, allowing for easier board layout. The translator's transistors provide excellent ESD protection to lower voltage devices and at the same time protect less ESD-resistant devices.

**Block diagram: GTL2002D, GTL2002DC, GTL2002DP, GTL2002GM Block Diagram**



View additional information for [2-Bit Bidirectional Low Voltage Translator](#).

Note: The information on this document is subject to change without notice.

[www.nxp.com](http://www.nxp.com)

NXP and the NXP logo are trademarks of NXP B.V. All other product or service names are the property of their respective owners. The related technology may be protected by any or all of patents, copyrights, designs and trade secrets. All rights reserved. © 2022 NXP B.V.