



2-Bit LVTTTL-to-GTL Transceiver

GTL2012DP

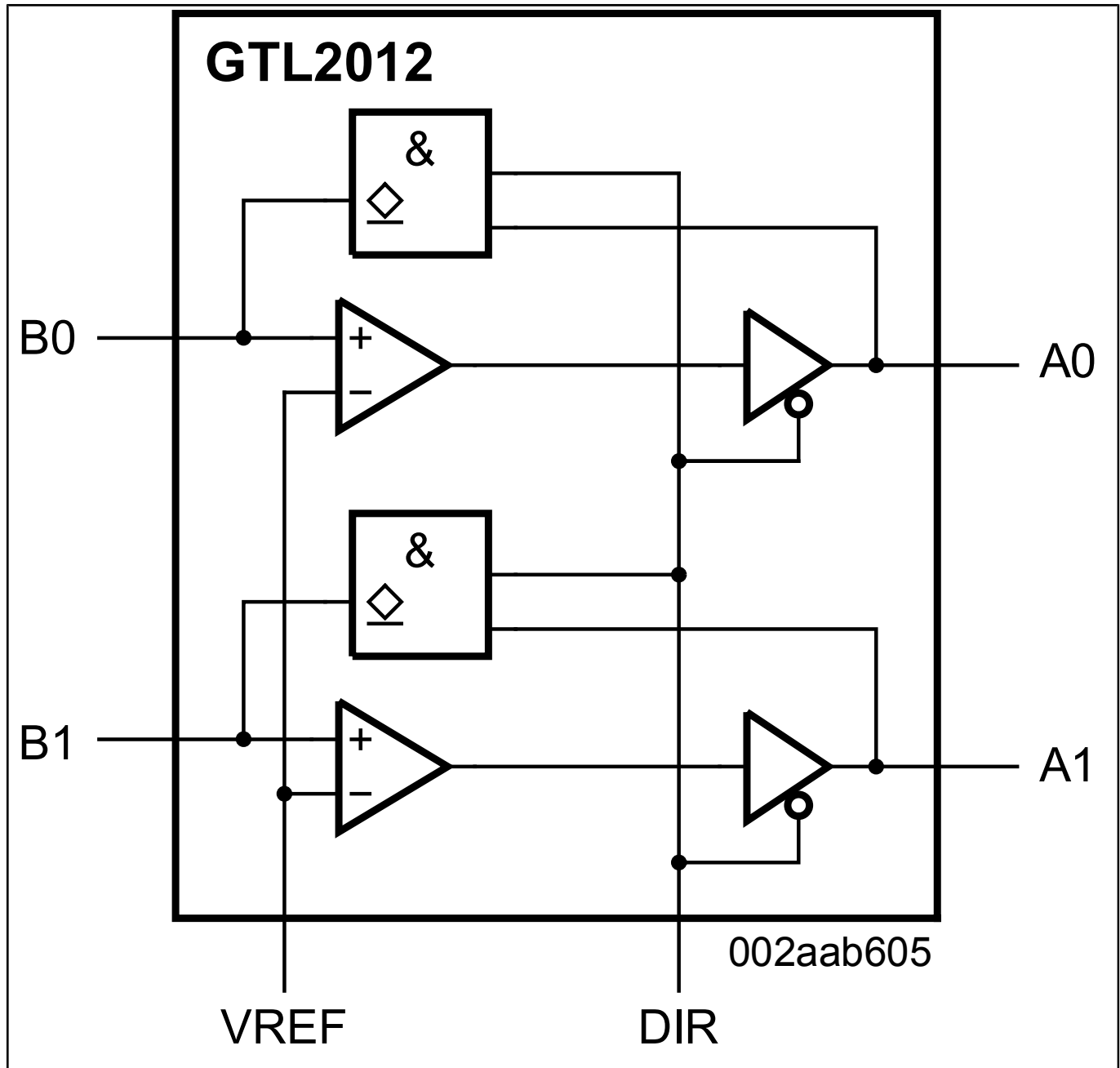
Last Updated: Apr 8, 2022

The GTL2012 is a 2-bit translating transceiver designed for 3.3 V system interface with a GTL-/GTL/GTL+ bus.

The direction pin (DIR) allows the part to function as either a GTL-to-LVTTTL sampling receiver or as an LVTTTL-to-GTL interface.

The GTL2012 LVTTTL inputs (only) are tolerant up to 5.5 V allowing direct access to TTL or 5 V CMOS inputs.

GTL2012 Block Diagram Block Diagram



View additional information for [2-Bit LVTTTL-to-GTL Transceiver](#).

Note: The information on this document is subject to change without notice.

www.nxp.com

NXP and the NXP logo are trademarks of NXP B.V. All other product or service names are the property of their respective owners. The related technology may be protected by any or all of patents, copyrights, designs and trade secrets. All rights reserved. © 2022 NXP B.V.