



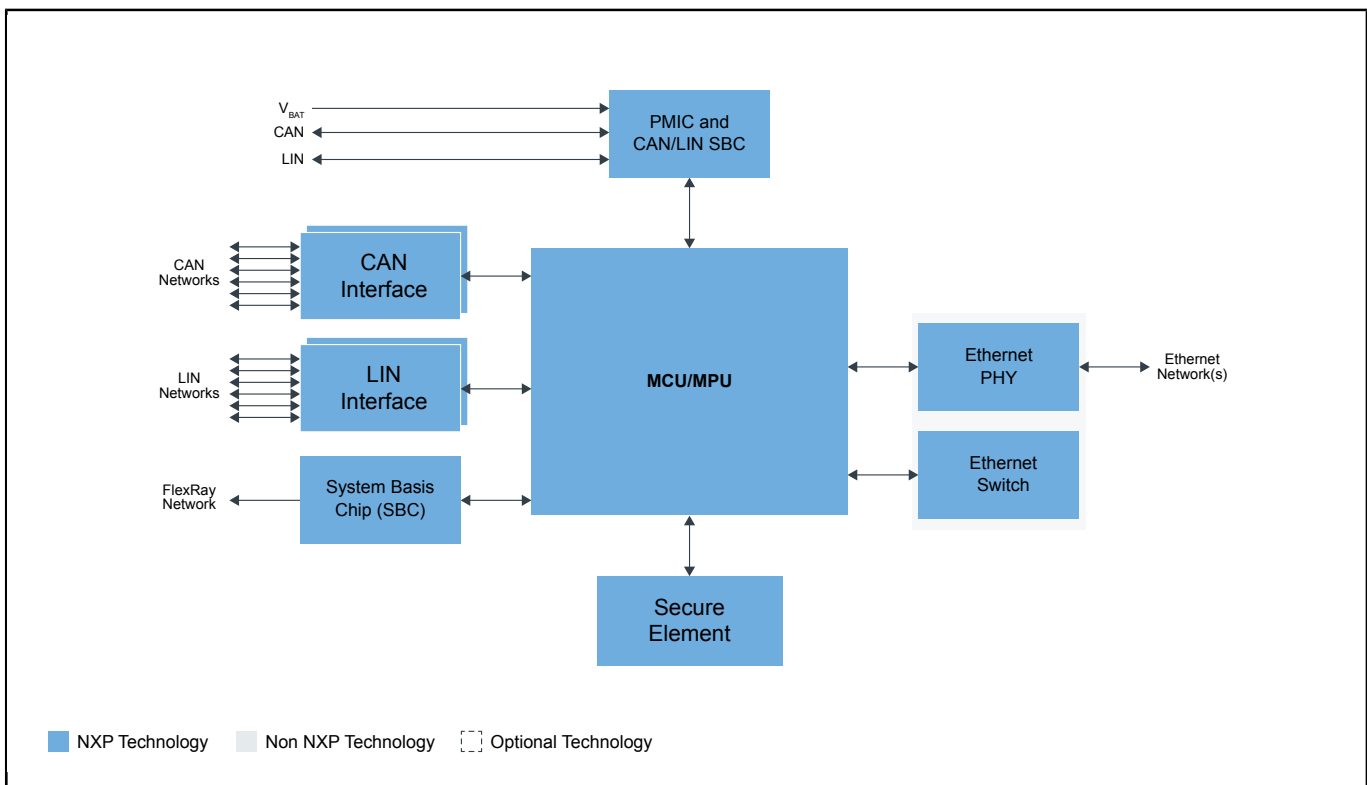
Gateway

Last Updated: Mar 10, 2023

The gateway is a central hub in the vehicle that securely interconnects and processes data across heterogeneous vehicle networks to and from functional domains such as powertrain, chassis and safety, body control, infotainment, telematics and advanced driving assistance systems.

Automotive gateways process different communication protocols, such as CAN, LIN, FlexRay and Gigabit Ethernet while securely filtering data in real time to protect it from hacking. Gateways also enable over-the-air (OTA) firmware updates for the different electronic control units (ECUs) within the car.

Gateway Block Diagram



Recommended Products for Gateway	
MCU/MPU	<ul style="list-style-type: none"> • S32G3 Processors for Vehicle Networking • S32G2 Processors for Vehicle Networking • MPC574xB-C-G: Ultra-Reliable MPC574xB/C/G MCUs for Automotive and Industrial Control and Gateway • S32G Vehicle Integration Platform (GoldVIP)
CAN Transceiver	<ul style="list-style-type: none"> • CAN Transceivers: CAN Transceivers
LIN Transceiver	<ul style="list-style-type: none"> • Automotive LIN Solutions: Automotive LIN Solutions
PMIC and CAN/LIN SBC	<ul style="list-style-type: none"> • VR5510: Multi-Channel (9) PMIC for S32G Processor – 8 High Power, 1 Low Power, Fit for ASIL D Safety Level • CAN/LIN SBCs: CAN/LIN System Basis Chips (SBCs)
FlexRay Transceivers	<ul style="list-style-type: none"> • FlexRay Transceivers: FlexRay Transceivers
Ethernet PHY	<ul style="list-style-type: none"> • TJA1120: TJA1120 Automotive Ethernet PHY 1000BASE-T1, ASIL-B and TC-10 • TJA1103: ASIL B Compliant 100BASE-T1 Ethernet PHY
Ethernet Switch	<ul style="list-style-type: none"> • SJA1105EL: Five- Ports AVB Automotive Ethernet Switch • SJA1105TEL: Five- Ports AVB and TSN Automotive Ethernet Switch • SJA1105PEL/QEL/REL/SEL Series Ethernet Switches • SJA1110: Multi-Gig Safe and Secure TSN Ethernet Switch with Integrated 100BASE-T1 PHYs
Secure Elements	<ul style="list-style-type: none"> • NCJ37x: Automotive Secure Element with Passive NFC, I²C and SPI Interfaces • NCJ38A: Automotive-Qualified Embedded Secure Element (SE)

View our complete solution for [Gateway](#).

Note: The information on this document is subject to change without notice.

www.nxp.com

NXP and the NXP logo are trademarks of NXP B.V. All other product or service names are the property of their respective owners. The related technology may be protected by any or all of patents, copyrights, designs and trade secrets. All rights reserved. © 2023 NXP B.V.