



ICODE 3: High-performance HF tag IC for IOT

ICODE-3

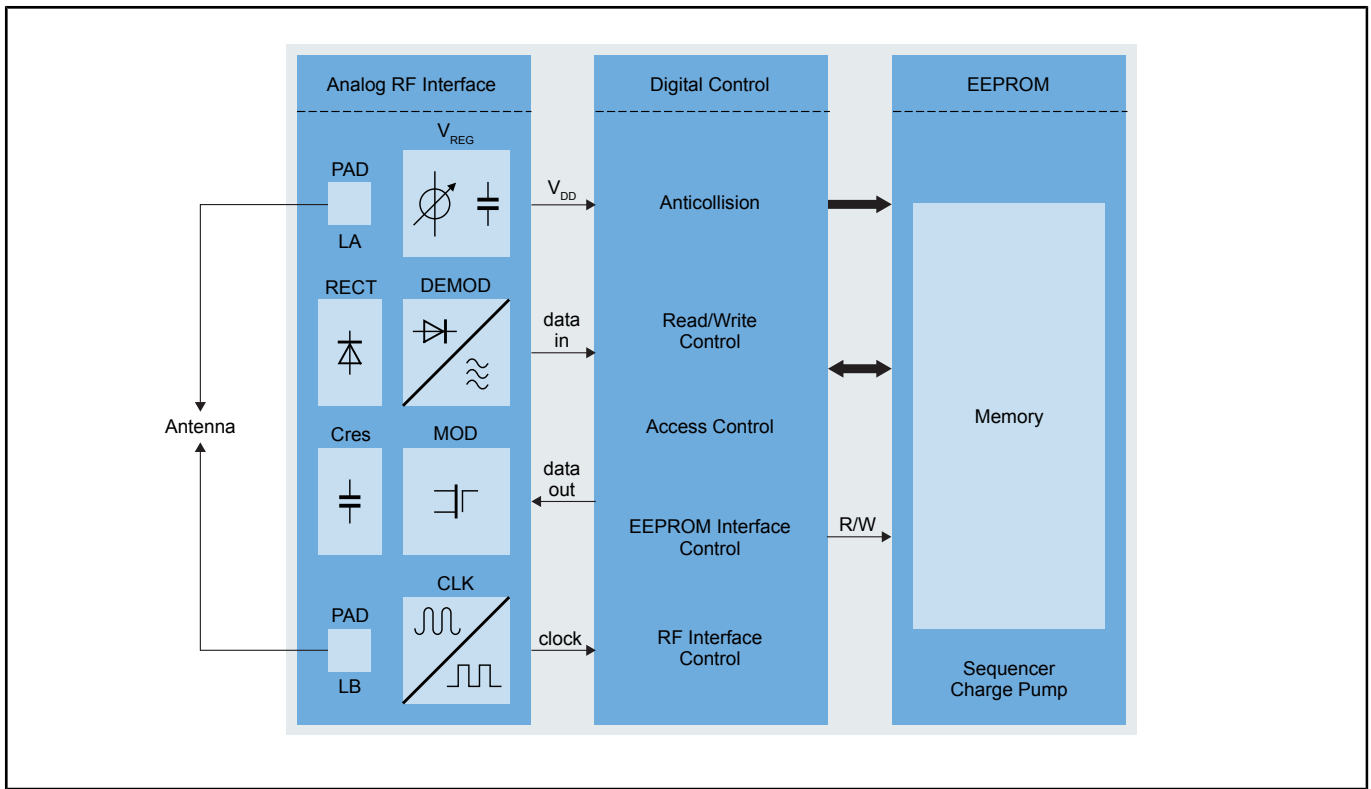
Last Updated: Oct 25, 2024

Wherever RFID tags need to work at both vicinity and close range, ICODE 3 delivers boosted RF performance and reading speed while in manufacturing and supply chain, then extended NFC features augment the user experience and expand privacy when in the end user's world.

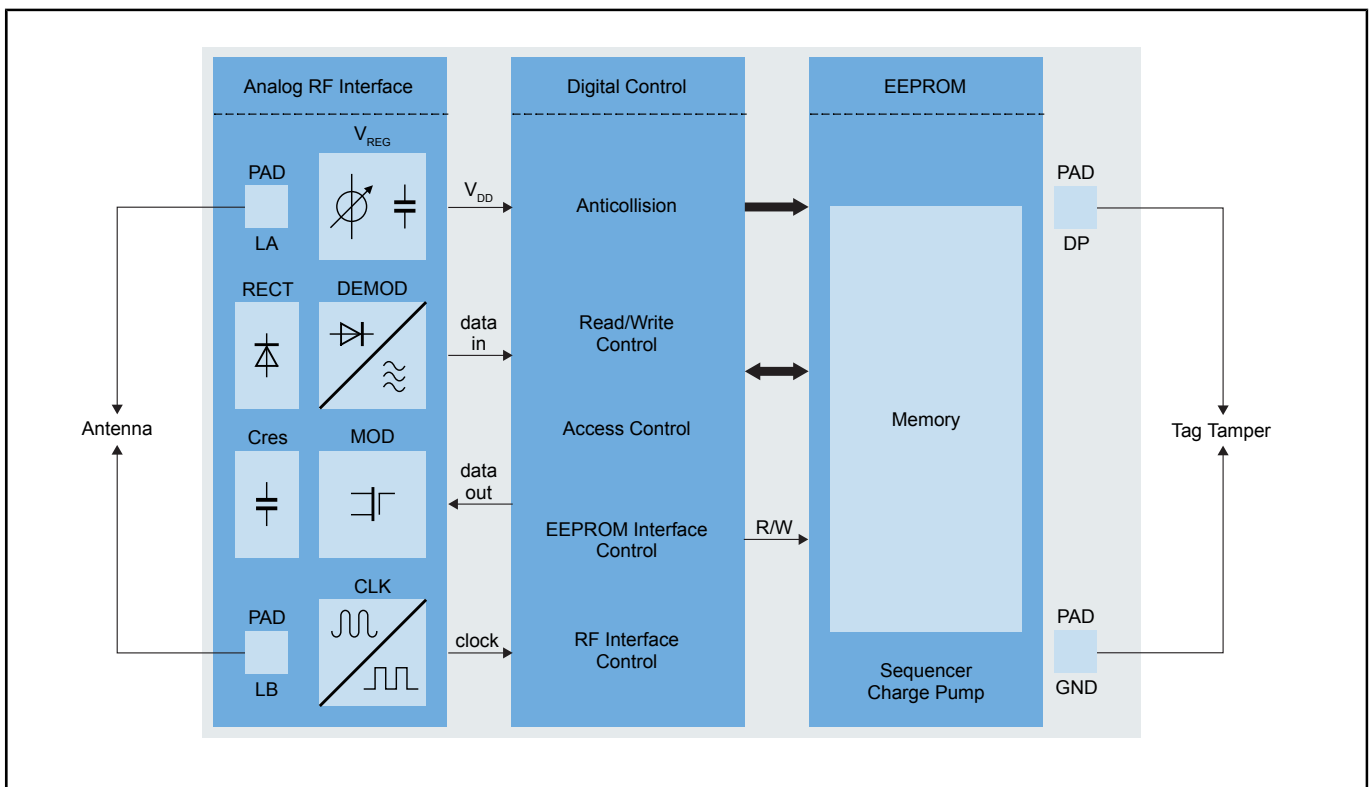
In the vicinity range, improved tag readability and wide compatibility across materials and conditions, together with fast data transfer, simplify design-in, speed up industrialization, and increase operational efficiencies.

For near-range applications, the improved tag readability and options like first-opening indication and flexible counters create opportunities for more meaningful NFC user interactions.

ICODE 3 Block Diagram



ICODE 3 TagTamper Block Diagram



View additional information for [ICODE 3: High-performance HF tag IC for IOT](#).

Note: The information on this document is subject to change without notice.

www.nxp.com

NXP and the NXP logo are trademarks of NXP B.V. All other product or service names are the property of their respective owners. The related technology may be protected by any or all of patents, copyrights, designs and trade secrets. All rights reserved. © 2024 NXP B.V.