



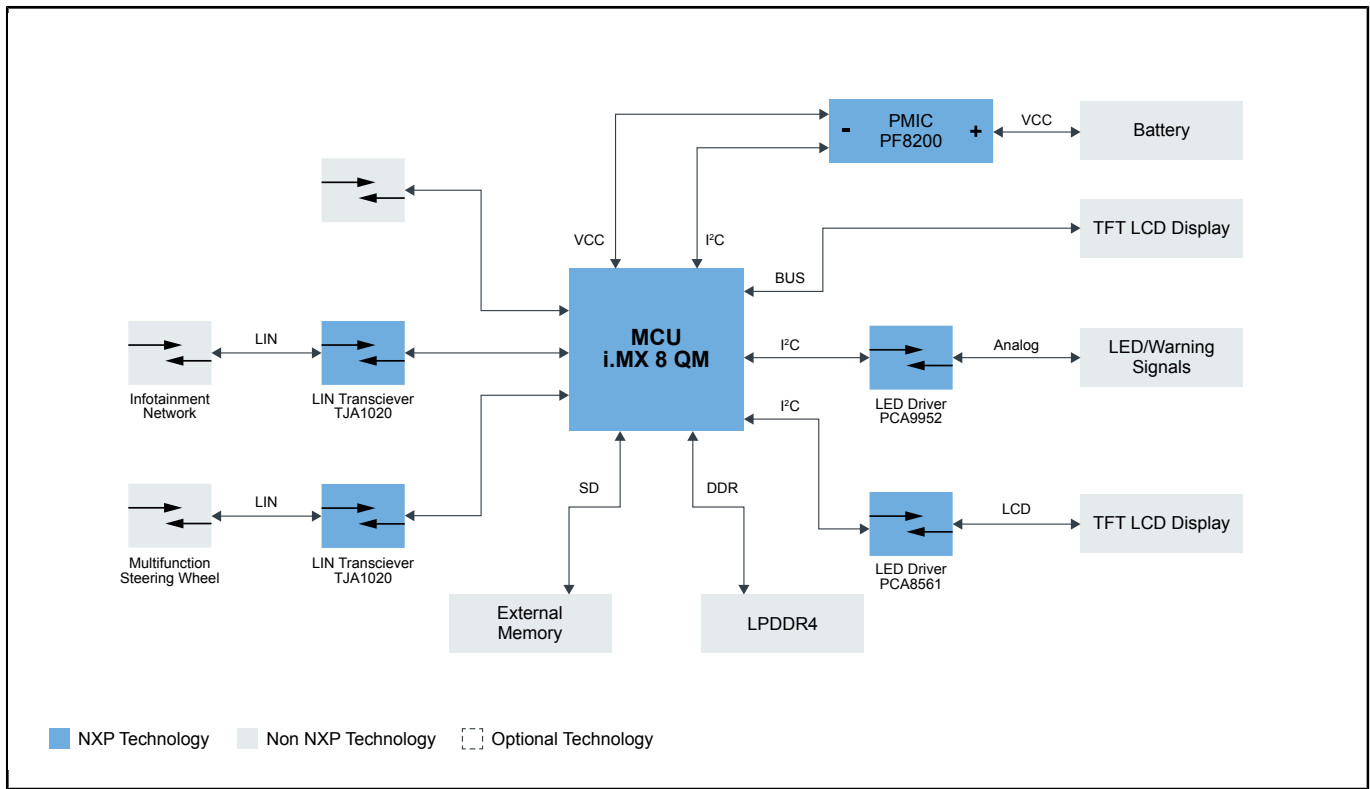
Infotainment Unit

INFOTAINMENT-UNIT

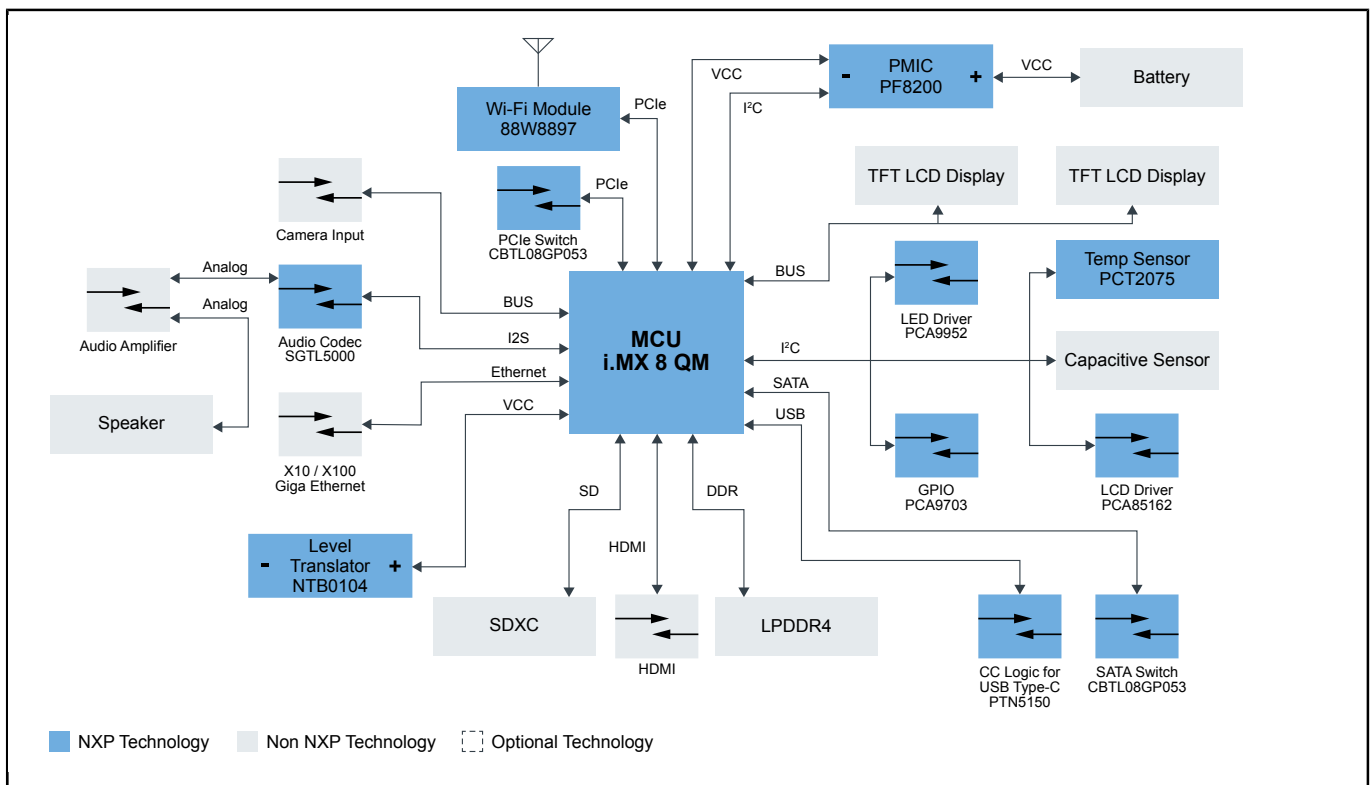
Last Updated: Sep 7, 2023

NXP offers dedicated automotive applications processors this infotainment unit implements i.MX 8 as its MCU in order to be capable of working with audio and video of high quality. It also counts with touch screen, ethernet and Wi-Fi, temperature sensors, USB connection, and many other features. Besides this device, the implementation of an Instrument Cluster, TFT Display, CAN and LIN interfaces for vehicle diagnostics.

Micro-b Connector Block Diagram



Type-C Connector Block Diagram



View additional information for [Infotainment Unit](#).

Note: The information on this document is subject to change without notice.

www.nxp.com

NXP and the NXP logo are trademarks of NXP B.V. All other product or service names are the property of their respective owners. The related technology may be protected by any or all of patents, copyrights, designs and trade secrets. All rights reserved. © 2023 NXP B.V.