



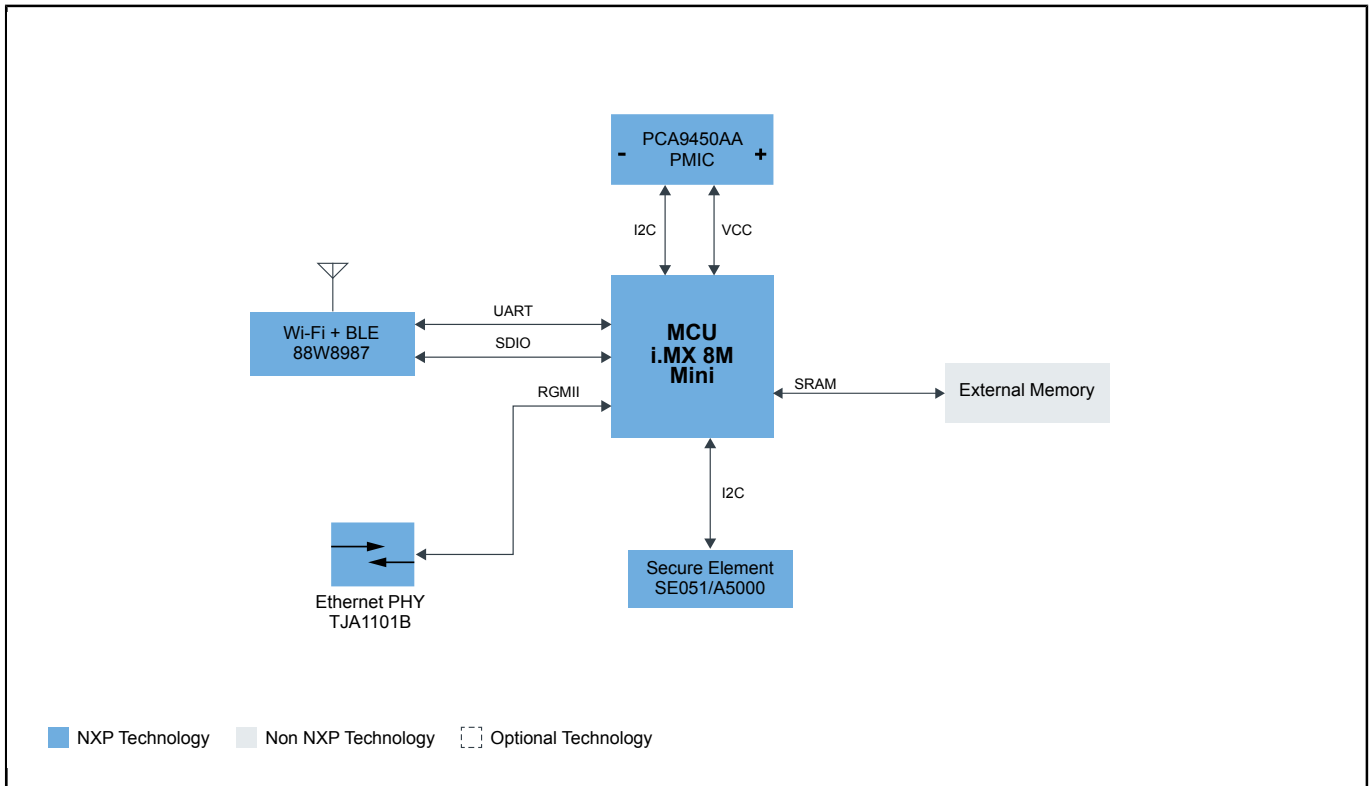
IoT Secure Device

IOT-SECURE-DEVICE

Last Updated: Sep 9, 2024

As one of the world leaders in secure connectivity solutions for embedded applications, NXP understands the requirements for driving end-to-end security and privacy in smart connected solutions for IoT, this device allows to have a secure environment thanks to the use of the A5000 secure element, which provides a root of trust at the IC level and chip-to-cloud security while working with IoT technologies.

IoT Secure Device Block Diagram



View additional information for [IoT Secure Device](#).

Note: The information on this document is subject to change without notice.

www.nxp.com

NXP and the NXP logo are trademarks of NXP B.V. All other product or service names are the property of their respective owners. The related technology may be protected by any or all of patents, copyrights, designs and trade secrets. All rights reserved. © 2024 NXP B.V.