



A Touch Sensing Demo Based on KE17Z

KE17Z-TOUCH-SENSING

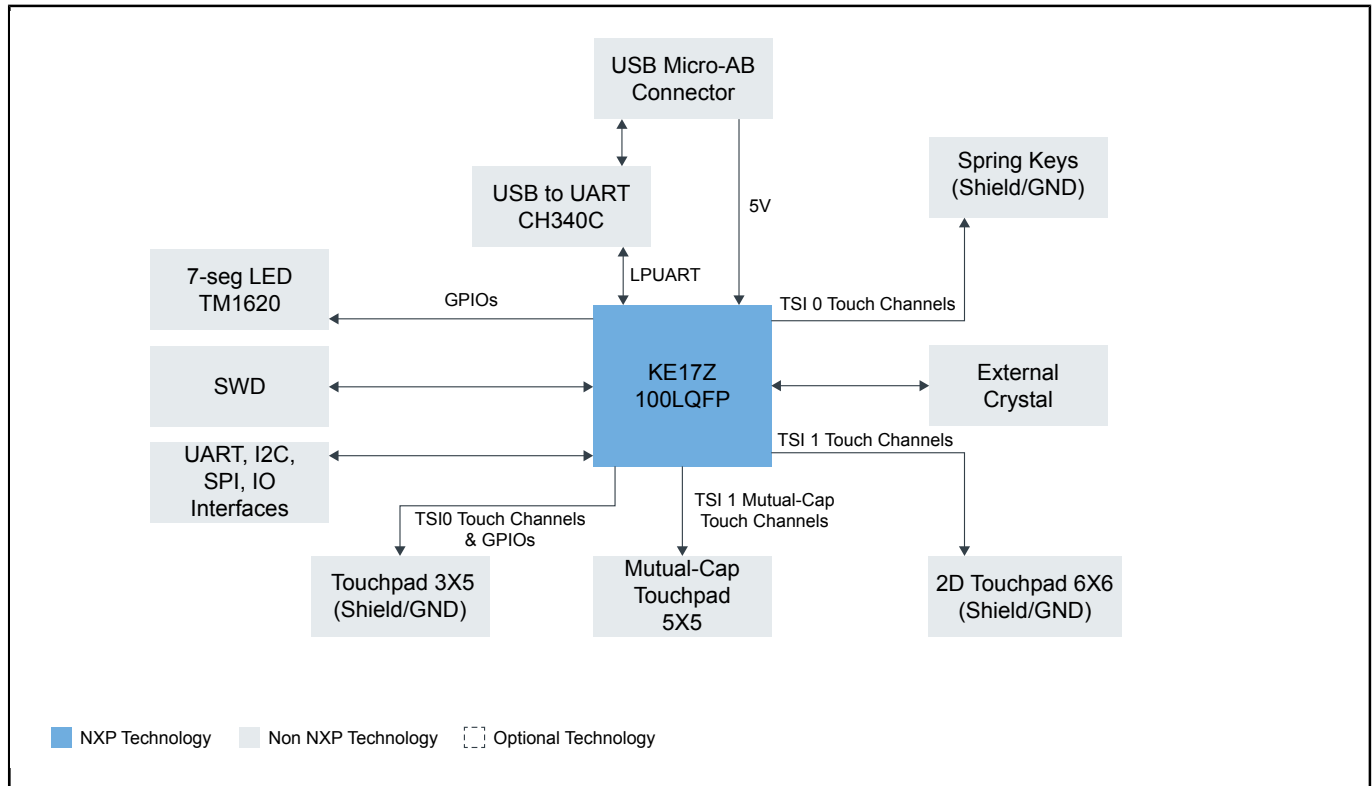
Last Updated: May 2, 2023

X-KE17Z-TSI-EVB supports high EMC performance and comprehensive touch patterns, including mutual-cap touch keys, self-cap touch spring keys and pads, digital touch slide, proximity loop and shield electrode.

The chip of X-KE17Z-TSI-EVB has dual TSI and supports up to 50 touch channels, all channels are demonstrated on the board.

X-KE17Z-TSI-EVB is a demo that is not for sale on nxp.com. Schematics and design files are provided as reference in the documentation section. Please contact NXP sales representative if you would like a demonstration or need more info.

KE17Z-TOUCH-SENSING Block Diagram Block Diagram



View additional information for [A Touch Sensing Demo Based on KE17Z](#).

Note: The information on this document is subject to change without notice.

www.nxp.com

NXP and the NXP logo are trademarks of NXP B.V. All other product or service names are the property of their respective owners. The related technology may be protected by any or all of patents, copyrights, designs and trade secrets. All rights reserved. © 2024 NXP B.V.