



# Layerscape® Access LA12xx Programmable Baseband Processor

## LA12xx

### Preproduction

This page contains information on a preproduction product. Specifications and information herein are subject to change without notice. For additional information [contact support](#) or your sales representative.

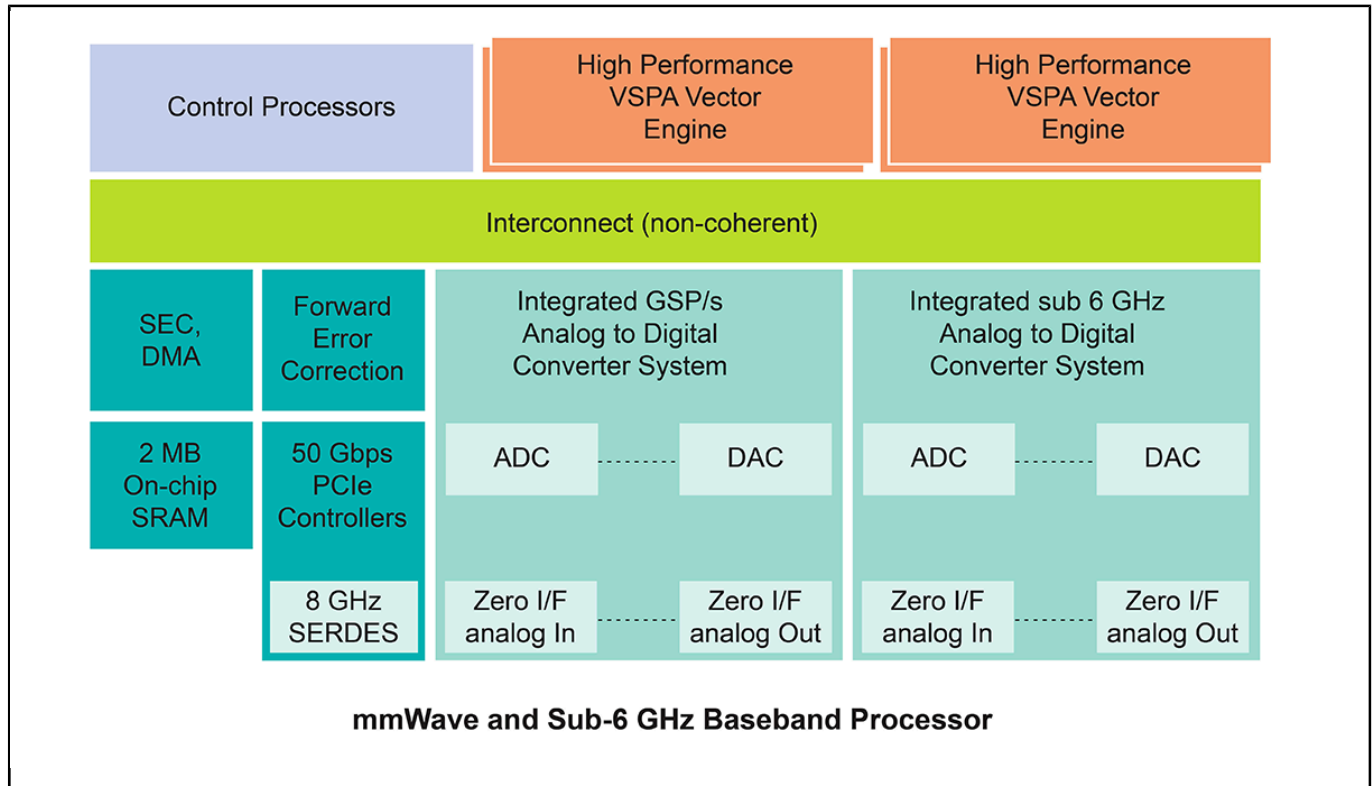
Last Updated: Feb 28, 2023

The Layerscape LA12xx is a programmable baseband processor 5G-NR fixed wireless edge access and 3GPP infrastructure equipment. LA12xx also enables unprecedented flexibility with PHY/baseband processing for O-RAN functional split options, proprietary applications and value added differentiation.

- > 1 TFLOPs VSPA Vector Engine performance
- Integrated High Speed and Low Speed ADC/DACs for mmWave and sub-6 GHz applications
- High performance Polar and LDPC Forward Error Correction / HARQ engine
- 50 Gbit/s of PCIe I/O

Layerscape processors are part of NXP's EdgeVerse™ [edge computing](#) platform.

## Layerscape Access LA12xx Block Diagram Block Diagram



View additional information for [Layerscape® Access LA12xx Programmable Baseband Processor](#).

**Note:** The information on this document is subject to change without notice.

[www.nxp.com](http://www.nxp.com)

NXP and the NXP logo are trademarks of NXP B.V. All other product or service names are the property of their respective owners. The related technology may be protected by any or all of patents, copyrights, designs and trade secrets. All rights reserved. © 2023 NXP B.V.