



Trimension™ NCJ29D6 Evaluation Board for Automotive Ultra-Wideband

LID2580

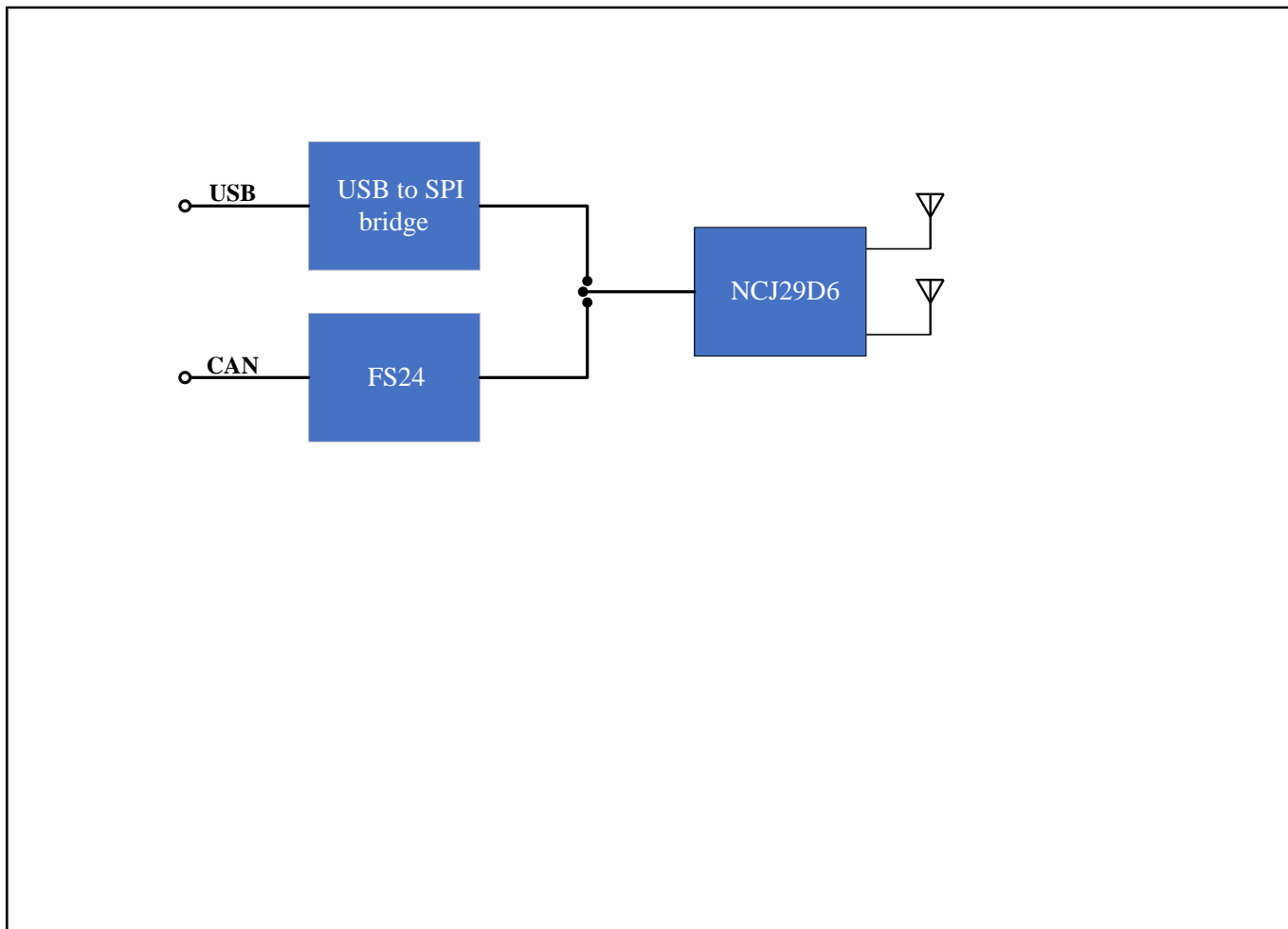
Active

Last Updated: Mar 7, 2025

Available to selected customers only (non-disclosure agreement (NDA) required), please [contact support](#) or your local sales representative for more information.

NXP's Trimension™ NCJ29D6 is a UWB device capable of performing UWB based ranging and radar. This enables automotive use cases such as smart access (Digital Key), child presence detection, and kick sensing. The evaluation board LID2580 helps customers to get started with NCJ29D6 and to test its rich feature set. Software and examples are provided by NXP and are meant to run on this board. Furthermore, we provide software to configure and control the evaluation board via a host PC. To get a software activation key, please reach out to your NXP sales representative allowing you to download the software via nxp.com.

LID2580 Block Diagram



View additional information for [Trimension™ NCJ29D6 Evaluation Board for Automotive Ultra-Wideband](#).

Note: The information on this document is subject to change without notice.

www.nxp.com

NXP and the NXP logo are trademarks of NXP B.V. All other product or service names are the property of their respective owners. The related technology may be protected by any or all of patents, copyrights, designs and trade secrets. All rights reserved. © 2025 NXP B.V.