



Layerscape LS1046A Reference Design Board

LS1046A-RDB

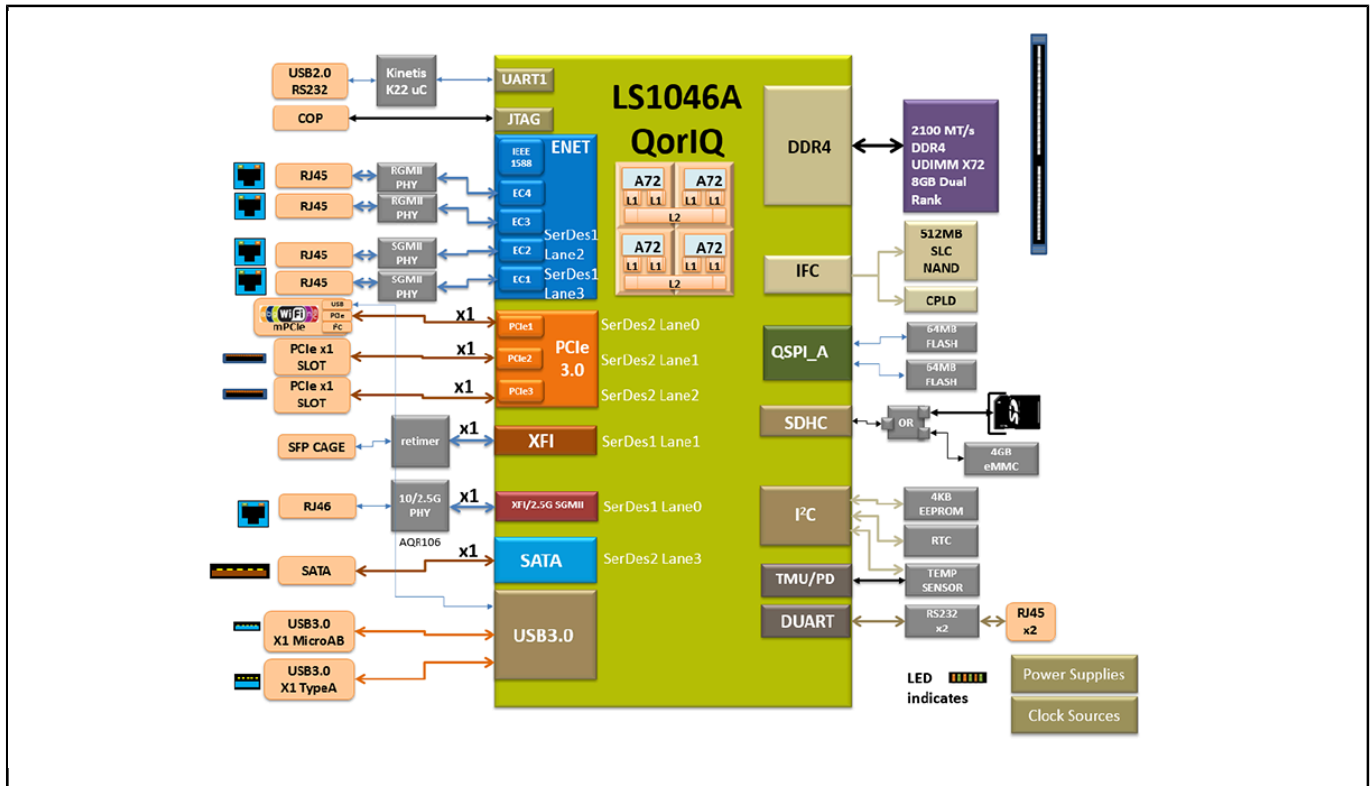
Last Updated: Aug 18, 2022

The LS1046A reference design board (RDB) is a high-performance computing, evaluation, and development platform that supports the Layerscape LS1046A architecture processor. The LS1046ARDB board supports the Layerscape LS1046A processor and is optimized to support the DDR4 memory and a full complement of high-speed SerDes ports.

The Layerscape LS1046A processor integrates four 64-bit Arm® Cortex®-A72 cores with packet processing acceleration and high-speed peripherals. The impressive performance of more than 32,000 CoreMarks®, paired with 10 Gb Ethernet, PCIe Gen. 3, SATA 3.0, USB 3.0 and QSPI interfaces provides an excellent combination for a range of enterprise and service provider networking, storage, security and industrial applications.

The board has been certified to the Arm [SystemReady ES](#) standard to ensure interoperability with standard operating systems and hypervisors.

LS1046A RDB Block Diagram



View additional information for [Layerscape LS1046A Reference Design Board](#).

Note: The information on this document is subject to change without notice.

www.nxp.com

NXP and the NXP logo are trademarks of NXP B.V. All other product or service names are the property of their respective owners. The related technology may be protected by any or all of patents, copyrights, designs and trade secrets. All rights reserved. © 2022 NXP B.V.