



General Purpose BMS Communication TPL Transceiver and CAN FD Gateway

MC33665A

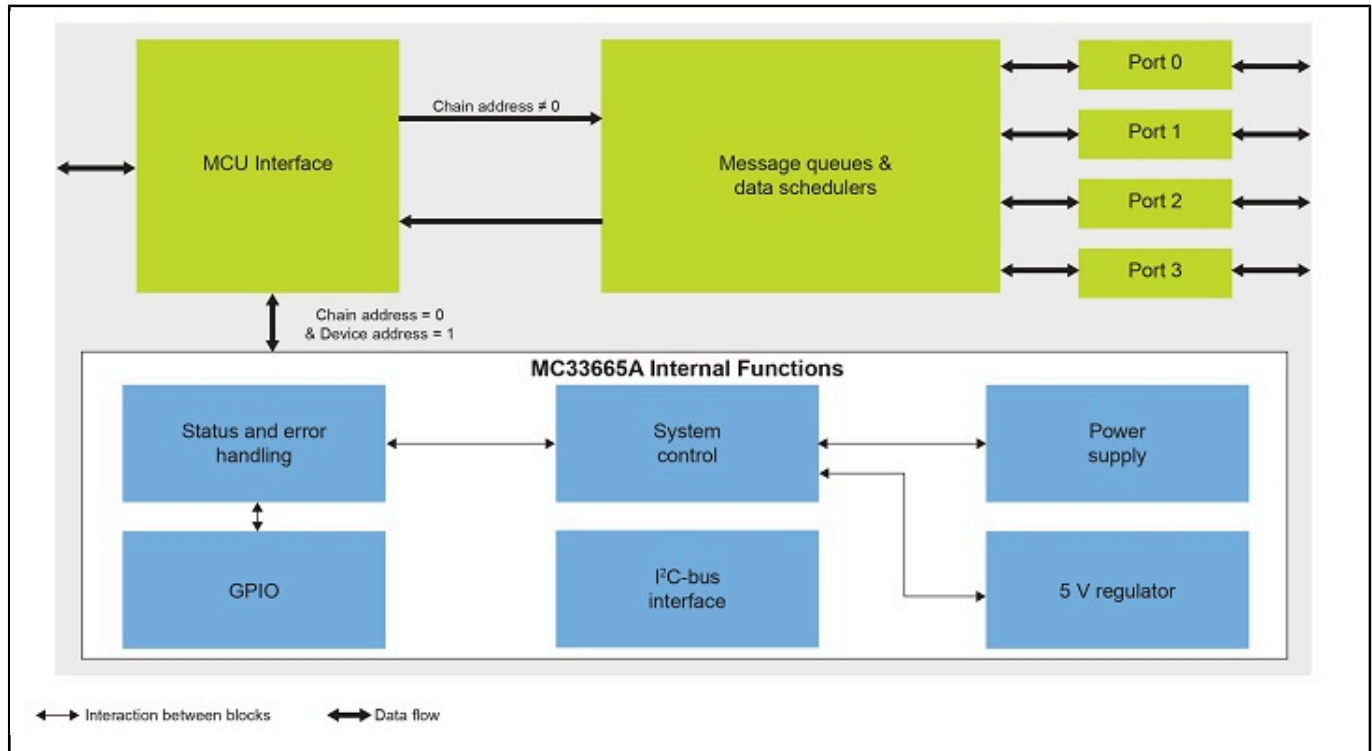
Last Updated: Jul 25, 2023

The MC33665A is a general-purpose battery management communication gateway and TPL transceiver.

The device routes messages upcoming from different TPL (NXPs proprietary isolated daisy chain protocol) ports to standard communication protocols. The standard communication protocols ensures compatibility with most microcontrollers available in the market. The various protocols supported by MC33665A are SPI, CAN FD and UART.

For additional information and sample availability, contact your local [Sales Office](#).

MC33665A Block Diagram Block Diagram



View additional information for [General Purpose BMS Communication TPL Transceiver and CAN FD Gateway](#).

Note: The information on this document is subject to change without notice.

www.nxp.com

NXP and the NXP logo are trademarks of NXP B.V. All other product or service names are the property of their respective owners. The related technology may be protected by any or all of patents, copyrights, designs and trade secrets. All rights reserved. © 2024 NXP B.V.