



Quad DSI 2.02 Leader, Differential Drive, Freq Spread

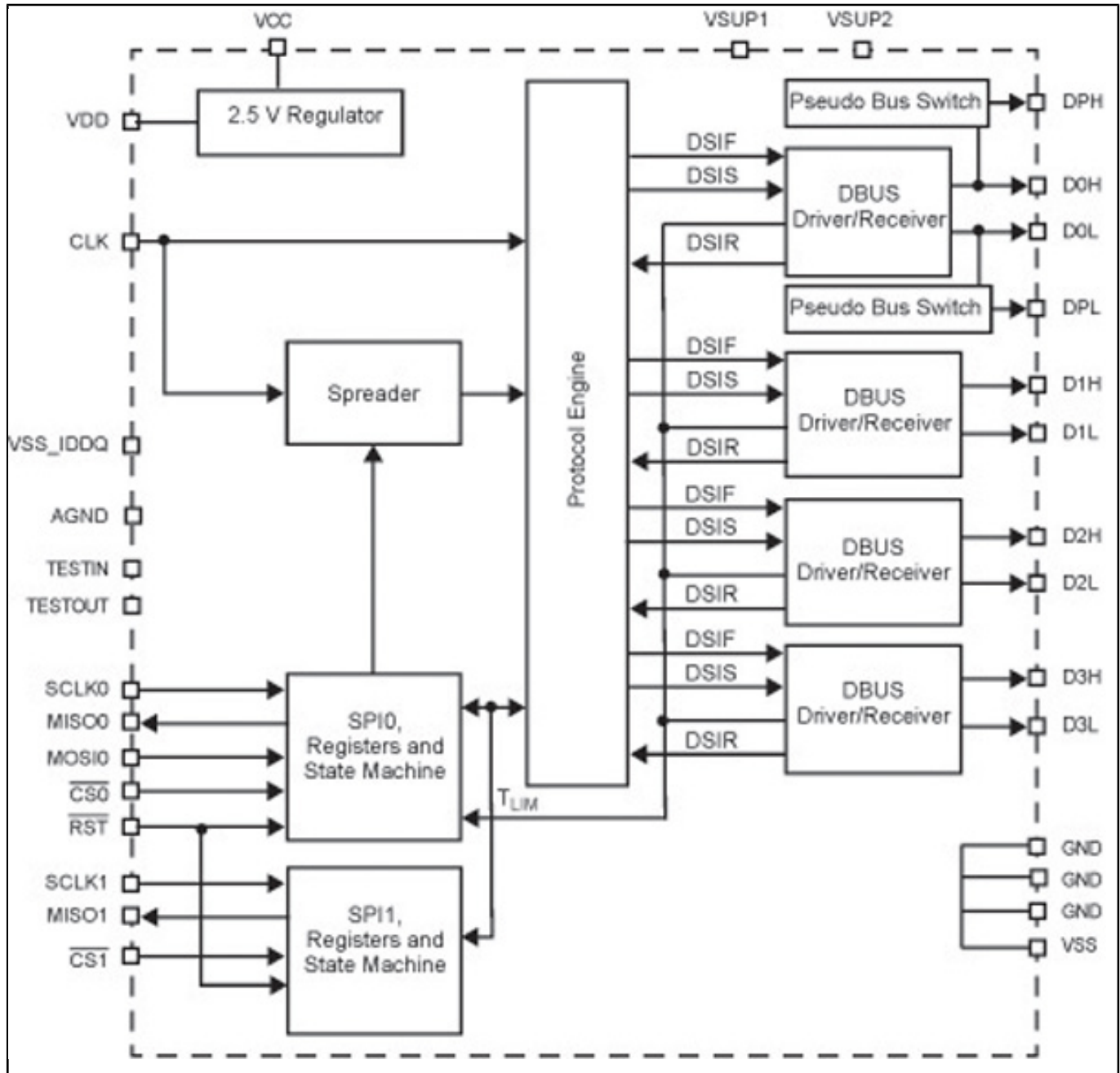
MC33781

Last Updated: Jul 6, 2022

The NXP® MC33781 is a leader device for four differential DSI 2.02 buses that contains the logic to interface the buses to a standard SPI port and the analog circuitry to drive data and power over the bus, as well as receive data from the remote follower devices.

- The differential mode generates lower electromagnetic interference (EMI) in situations where data rates and wiring make this a problem
- Frequency spreading further reduces interference by spreading the energy across many frequencies, reducing the energy in any single frequency
- Tools: Limited Evaluation boards available; contact sales

Freescale MC33781 Network Transceivers Block Diagram Block Diagram



View additional information for [Quad DSI 2.02 Leader, Differential Drive, Freq Spread](#).

Note: The information on this document is subject to change without notice.