



DSI 2.02 Sensor Interface

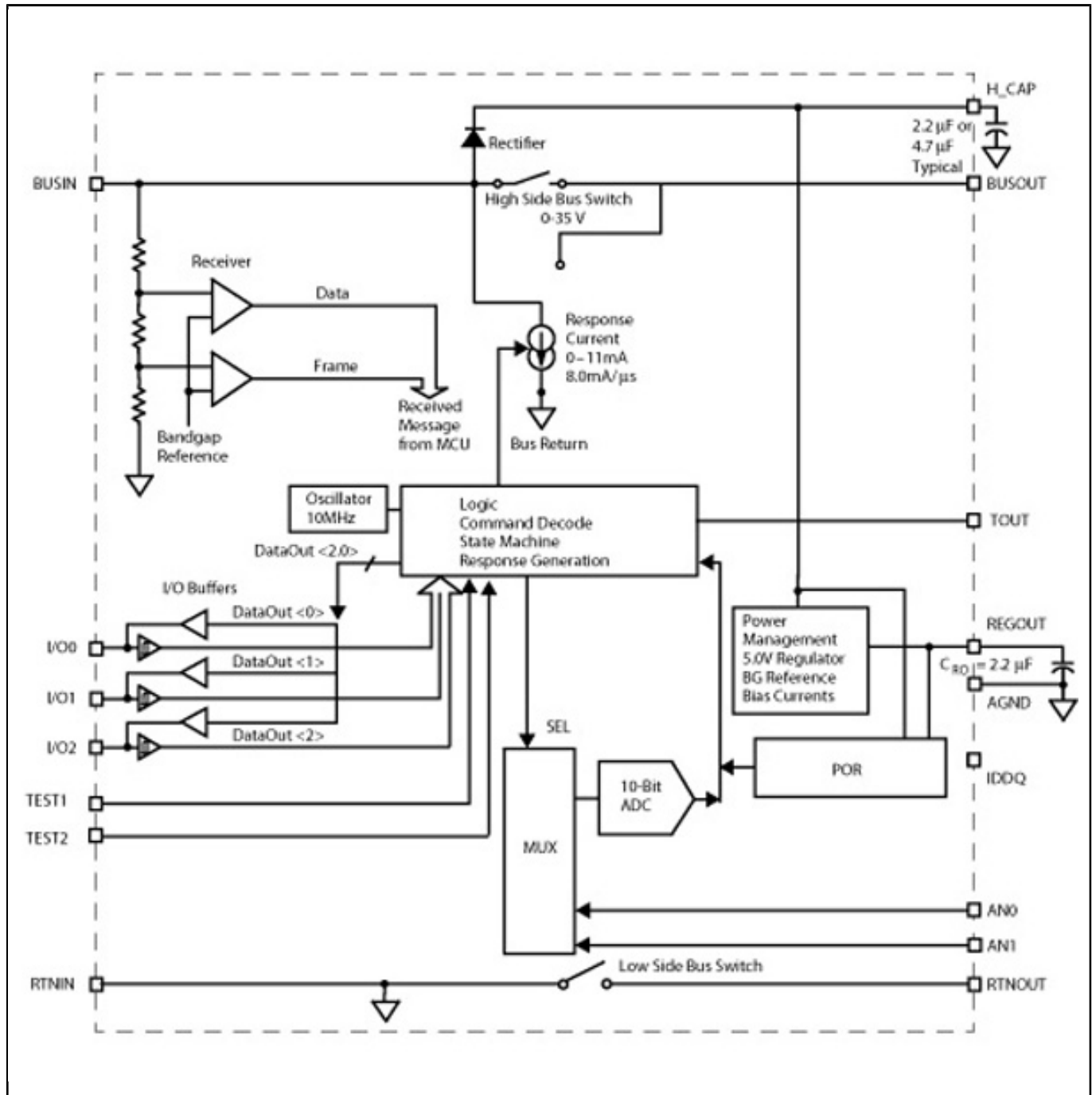
MC33784

Last Updated: Nov 9, 2023

The NXP® MC33784 is a follower distributed system interface bus (DBUS), version 2.02 compatible device optimized as a sensor interface.

- Contains circuits to power sensors such as accelerometers and to digitize the analog level from the sensor
- The device is controlled by commands over the bus, and returns measured data and other information over the bus
- Tools: Limited Evaluation boards available; contact sales

Freescale MC33784 Network Transceivers Block Diagram



View additional information for [DSI 2.02 Sensor Interface](#).

Note: The information on this document is subject to change without notice.

www.nxp.com

NXP and the NXP logo are trademarks of NXP B.V. All other product or service names are the property of their respective owners. The related technology may be protected by any or all of patents, copyrights, designs and trade secrets. All rights reserved. © 2024 NXP B.V.