



Multifunctional Ignition and Injector Driver

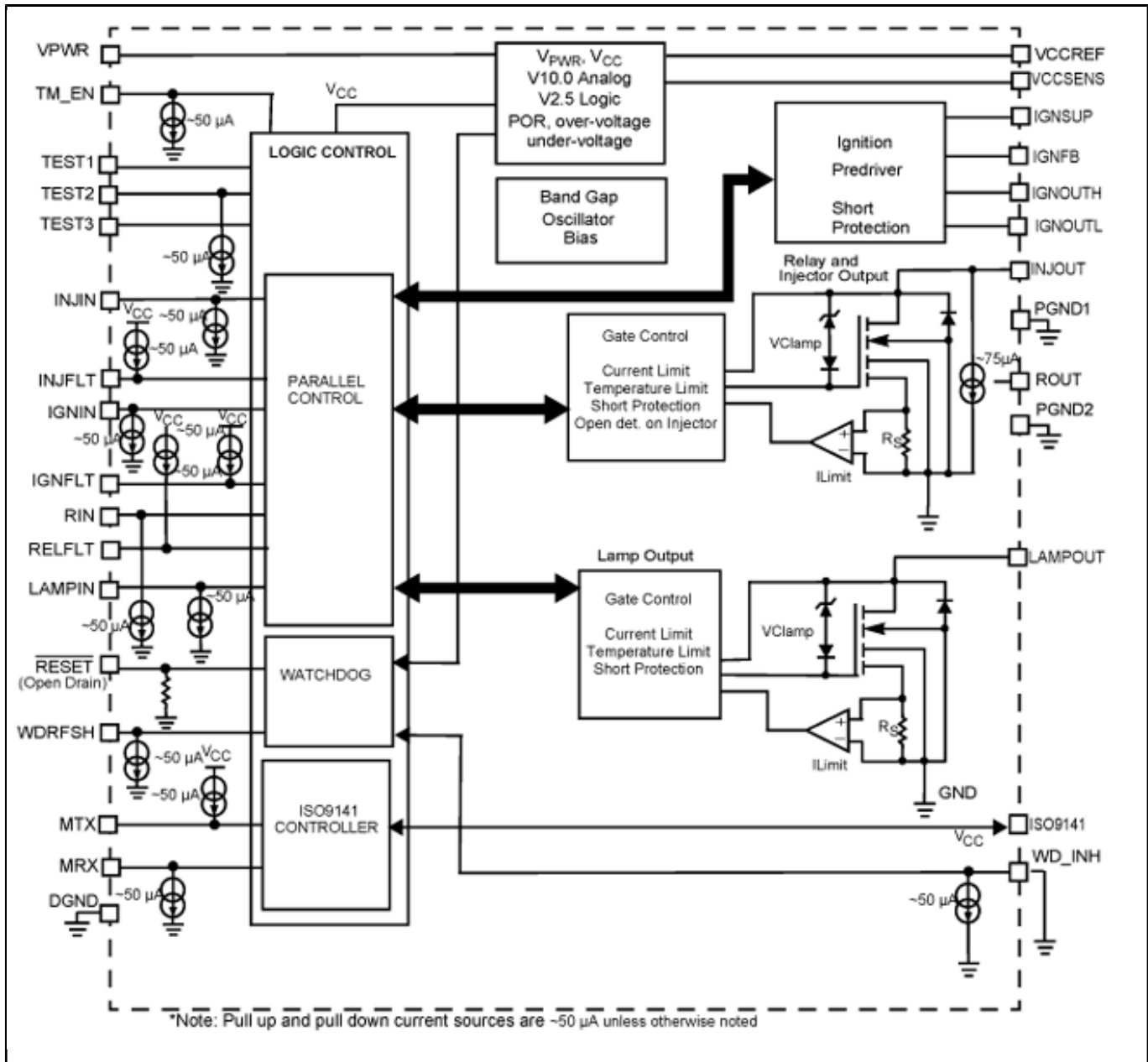
MC33812

Last Updated: Jul 4, 2022

The NXP® MC33812 is an engine control analog power IC intended for motorcycle and other single/dual cylinder small engine control applications.

- Consists of three integrated low side drivers, one pre-driver, a +5.0 V, voltage pre-regulator, an MCU watchdog circuit, an ISO 9141 K-Line interface, and a parallel interface for MCU communication
- The three low side drivers are provided for driving a fuel injector, a lamp or LED, and a relay or other load
- The pre-driver is intended to drive either an Insulated Gate Bipolar Transistor (IGBT) or a bipolar Darlington transistor to control an ignition coil

NXP MC33812 Low Side Switch Block Diagram Block Diagram



View additional information for [Multifunctional Ignition and Injector Driver](#).

Note: The information on this document is subject to change without notice.