



# 6 Output Switch, SPI, Parallel Input Control

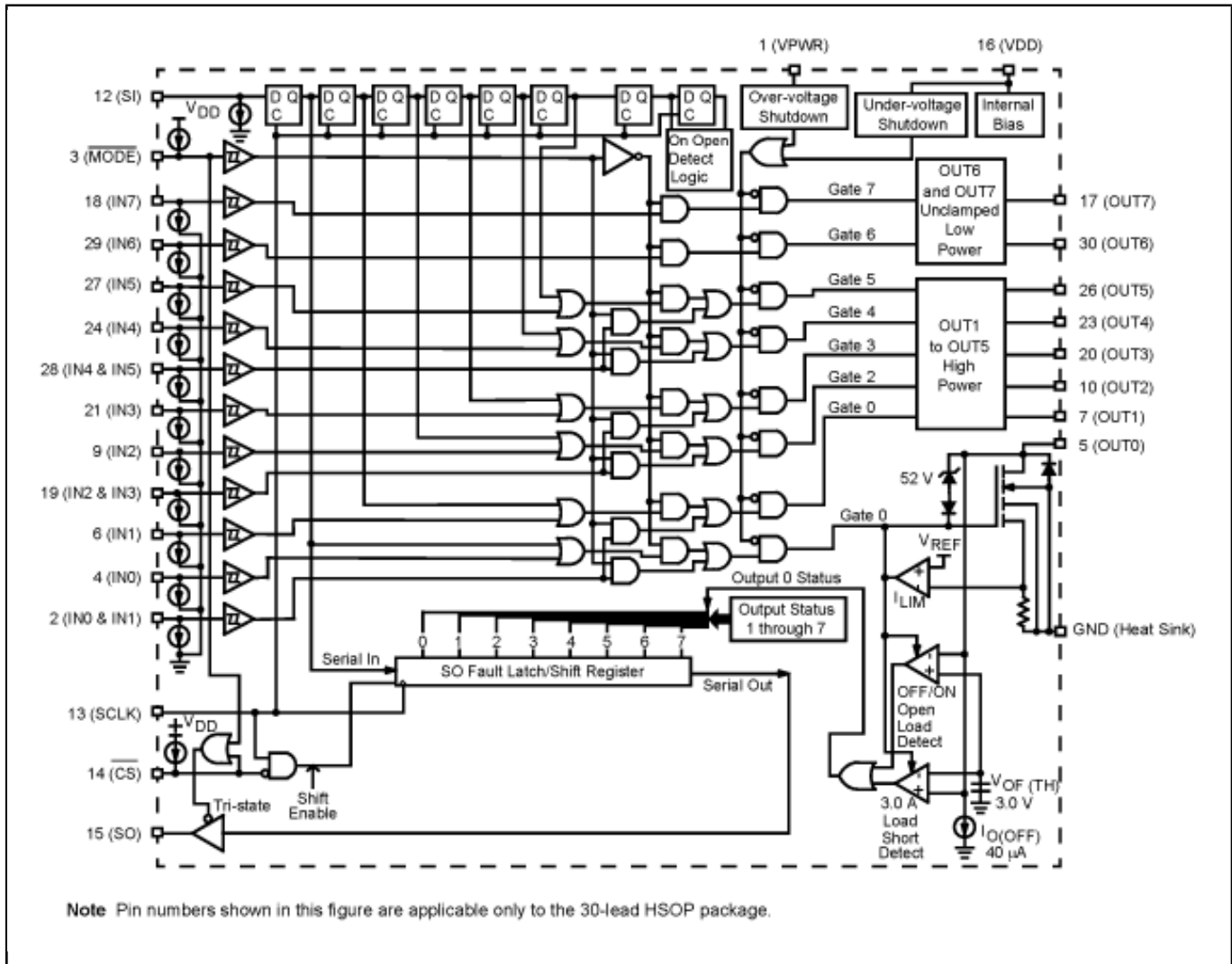
## MC33882

Last Updated: Dec 15, 2024

The NXP® MC33882 is a six-output, low side switch that controls system loads up to 1.0 A. The six outputs can be controlled via both serial peripheral interface (SPI) and parallel input control, ideal for fault tolerant system applications.

- Interfaces directly with industry standard MCUs via SPI to control both inductive and incandescent loads
- Outputs are configured as open drain power MOSFETs incorporating internal dynamic clamping and current limiting
- Monitoring and protection features, including low standby current, fault status reporting, internal 52 V clamp on each output, output specific diagnostics, and protective shutdown
- Mode select pin offers a dual means of input control

## 6 Output Switch, SPI, Parallel Input Control Block Diagram



View additional information for [6 Output Switch, SPI, Parallel Input Control](#).

Note: The information on this document is subject to change without notice.

[www.nxp.com](http://www.nxp.com)

NXP and the NXP logo are trademarks of NXP B.V. All other product or service names are the property of their respective owners. The related technology may be protected by any or all of patents, copyrights, designs and trade secrets. All rights reserved. © 2025 NXP B.V.