



Multi-Channel Power Management IC (PMIC)

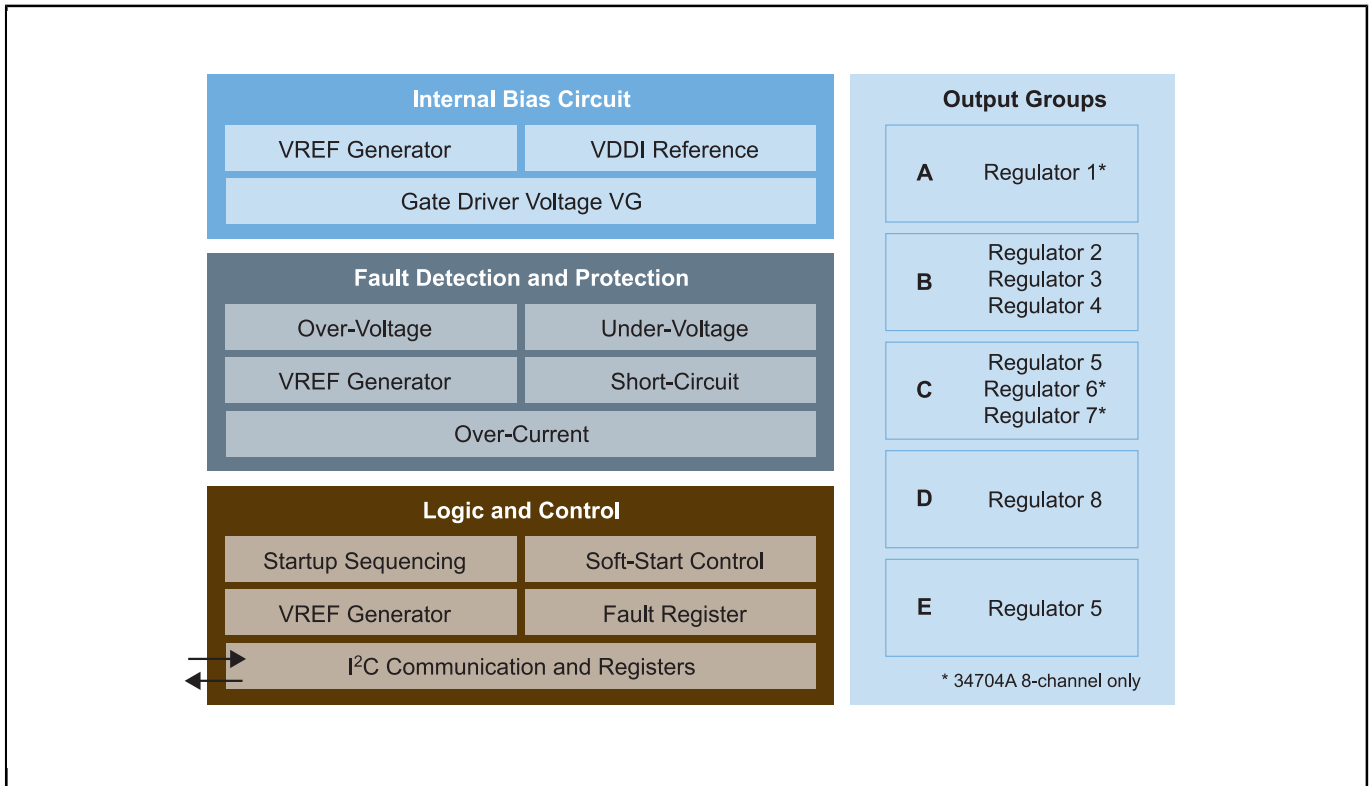
MC34704

Last Updated: Dec 17, 2024

The MC34704 is a multi-channel power management IC (PMIC) used to address power management needs for various multimedia application microprocessors.

- Ideal for portable devices powered up by Li-Ion/polymer batteries or for USB powered devices
- Provides either 5 or 8 independent output voltages with a single input power supply (2.7 and 5.5 V)
- Small packaging and the ability to operate at a switching frequency of up to 2 MHz makes it possible to reduce external component size and implement full space efficient power management solutions

NXP MC13892 PMIC Block Diagram



View additional information for [Multi-Channel Power Management IC \(PMIC\)](#).

Note: The information on this document is subject to change without notice.

www.nxp.com

NXP and the NXP logo are trademarks of NXP B.V. All other product or service names are the property of their respective owners. The related technology may be protected by any or all of patents, copyrights, designs and trade secrets. All rights reserved. © 2025 NXP B.V.