



System Basis Chip with CAN High-Speed and LIN Interface

MC34905

Not Recommended for New Designs

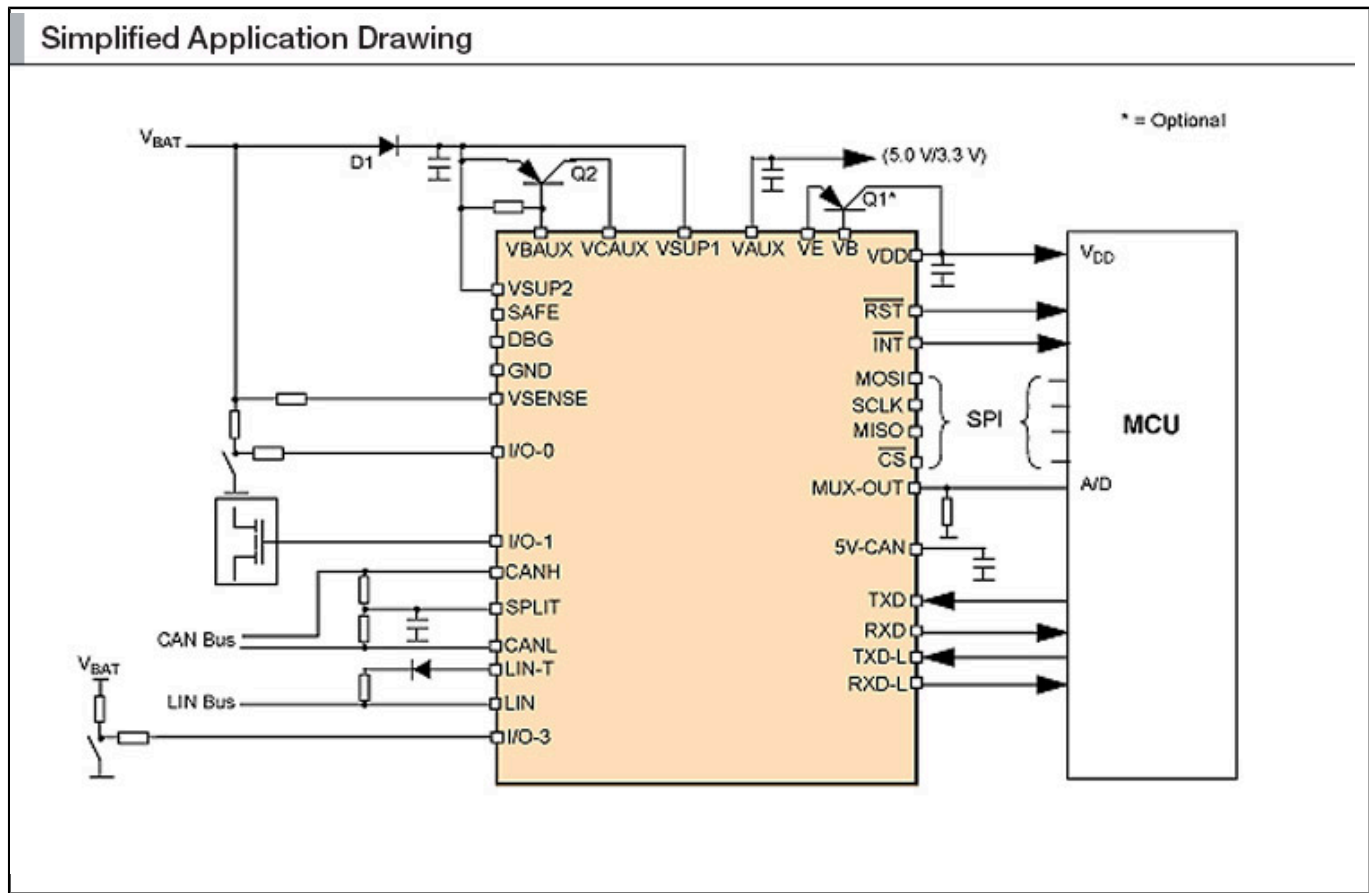
This page contains information on a product that is not recommended for new designs.

Last Updated: Apr 12, 2022

The NXP® MC34905 system basis chip (SBC) with CAN high-speed and LIN interface. This chip is an analog companion chip for the MCU and combines voltage regulators, interface, monitoring and control, and other features to enhance module designs targeting the industrial market.

- Built-in enhanced high-speed CAN interface (ISO11898-2 and -5) with local and bus failure diagnostics, protection, and fail-safe operation modes
- The SBC may include two LIN 2.1 interfaces with LIN output pin switches
- Includes up to four wake-up input pins that can also be configured as output drivers for flexibility
- Powered by SMARTMOS® technology

Simplified Application Drawing Block Diagram



View additional information for [System Basis Chip with CAN High-Speed and LIN Interface](#).

Note: The information on this document is subject to change without notice.

www.nxp.com

NXP and the NXP logo are trademarks of NXP B.V. All other product or service names are the property of their respective owners. The related technology may be protected by any or all of patents, copyrights, designs and trade secrets. All rights reserved. © 2023 NXP B.V.