



# MSDI with Suppressed Wake-up and 32 mA Wetting Current

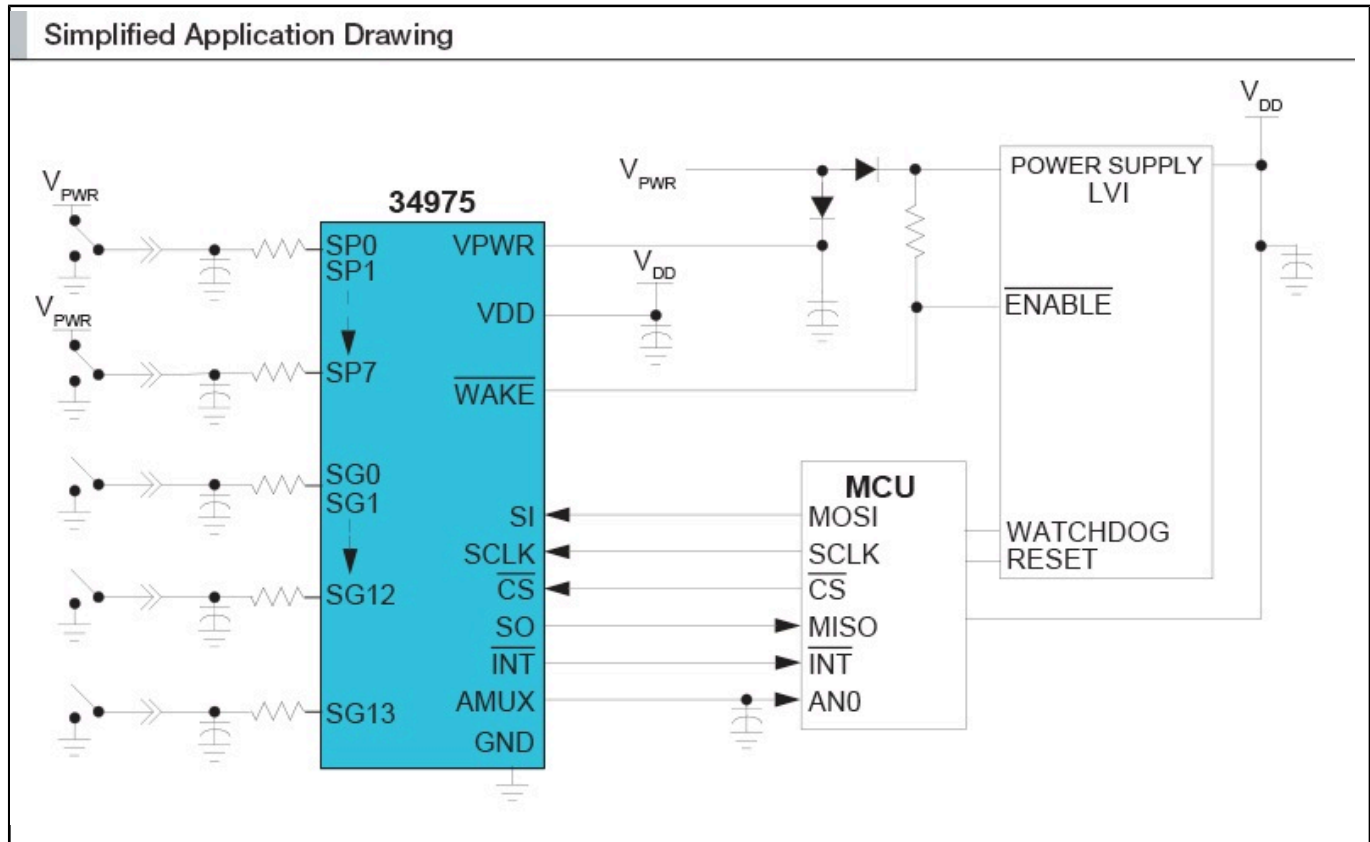
## MC34975

Last Updated: Sep 16, 2022

The NXP® MC34975 Multiple Switch Detection Interface (MSDI) with Suppressed Wake-up is designed to detect the closing and opening of up to 22 switch contacts.

- The switch status, either open or closed, is transferred to the microcontroller unit (MCU) through a serial peripheral interface (SPI)
- The device also features a 22-to-1 analog multiplexer for reading inputs as analog

## Simplified Application Drawing Block Diagram



View additional information for [MSDI with Suppressed Wake-up and 32 mA Wetting Current](#).

**Note:** The information on this document is subject to change without notice.

[www.nxp.com](http://www.nxp.com)

NXP and the NXP logo are trademarks of NXP B.V. All other product or service names are the property of their respective owners. The related technology may be protected by any or all of patents, copyrights, designs and trade secrets. All rights reserved. © 2022 NXP B.V.