



Multi-Output DC/DC Regulator

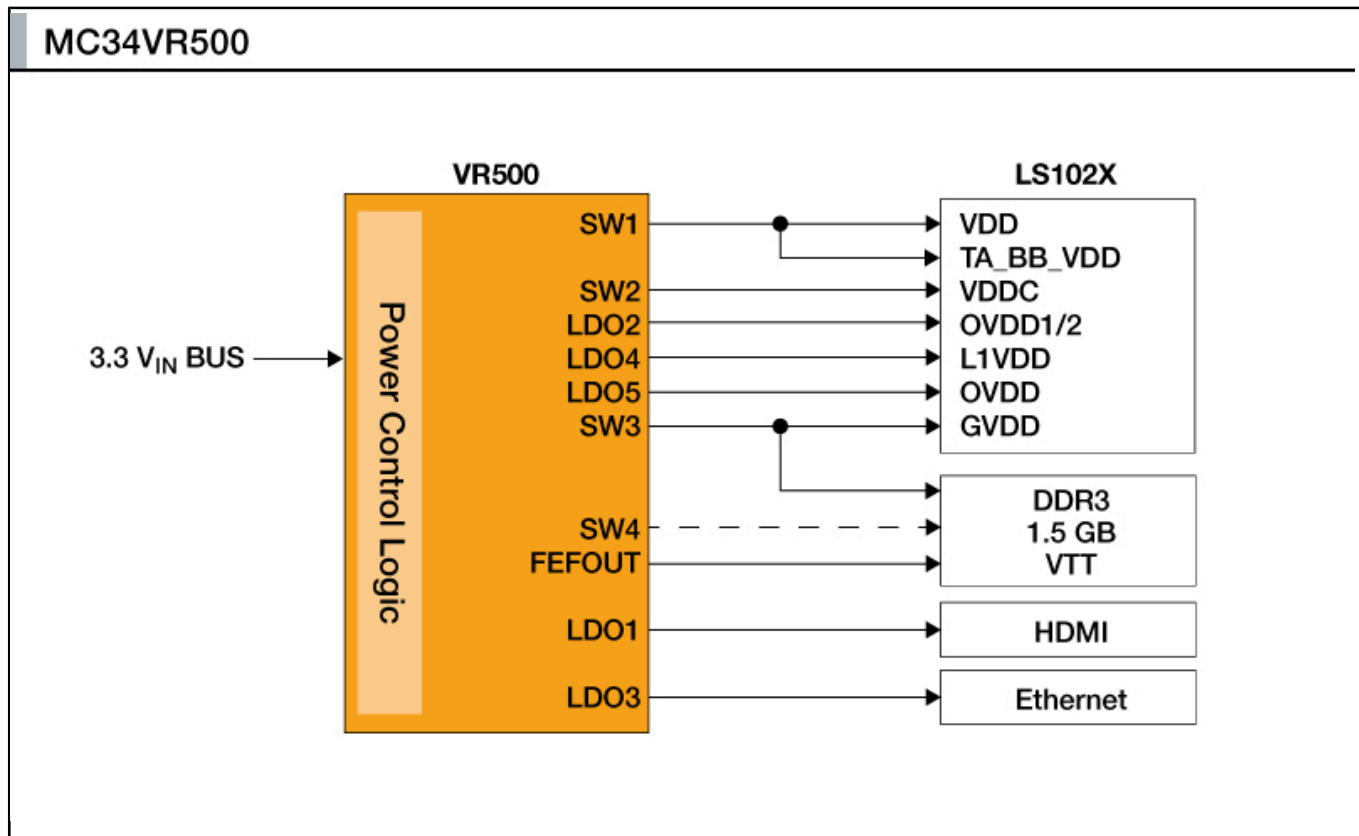
MC34VR500

Last Updated: Dec 20, 2022

The MC34VR500 power management solution for network processor systems is a high-efficiency, quad buck regulator with up to 4.5 A output and five user-programmable LDOs.

- With four buck regulators and five LDO output channels, the MC34VR500 powers more than the network processor, significantly reducing design complexity and the overall bill of materials.
- Highly integrated MC34VR500 output voltage, frequency and turn-on sequence is user programmable using I²C.
- Incorporated into multiple QorIQ® LS1 networking communications processor reference platform, providing platform-level solutions from a single supplier to enable faster time to market and reduced engineering effort.

MC34VR500 Multi-Output DC/DC Regulator Block Diagram



View additional information for [Multi-Output DC/DC Regulator](#).

Note: The information on this document is subject to change without notice.

www.nxp.com

NXP and the NXP logo are trademarks of NXP B.V. All other product or service names are the property of their respective owners. The related technology may be protected by any or all of patents, copyrights, designs and trade secrets. All rights reserved. © 2023 NXP B.V.