



# Low Cost 32-Bit Microprocessor (Including HC000, HC001, EC000 and SEC000)

## MC68000

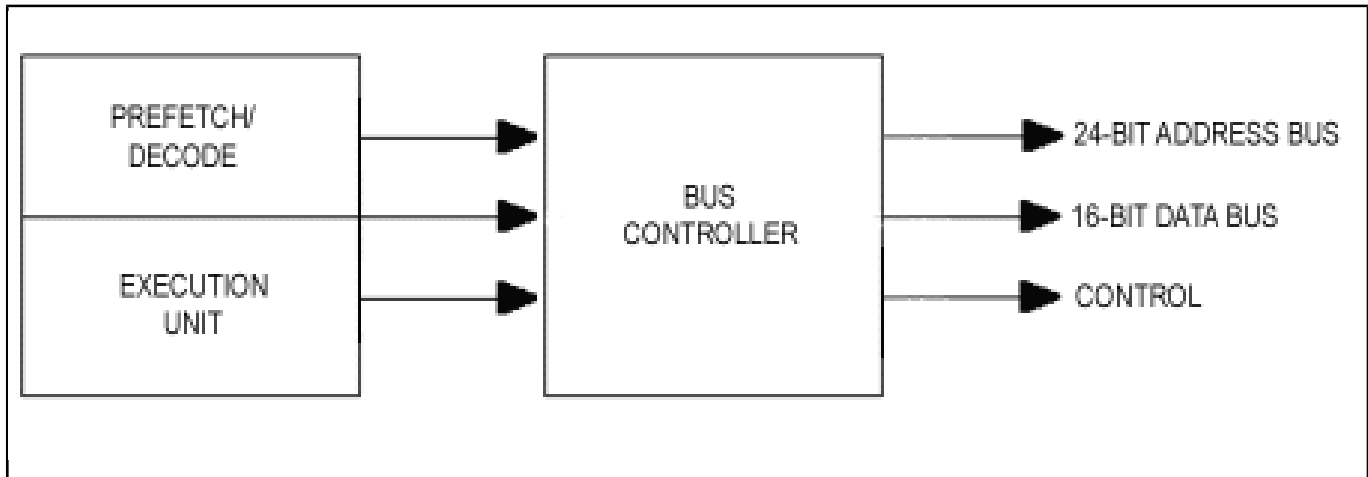
### Not Recommended for New Designs

This page contains information on a product that is not recommended for new designs.

Last Updated: Jun 6, 2023

The industry's lowest cost 32-bit microprocessor, the MC68000 offers an excellent low cost entry point to the M68000 Family. The MC68HC000 is a CMOS version of the original MC68000. The MC68HC001 is also a CMOS version of the original MC68000 with 8-/16-bit selectable data bus. The MC68EC000 version provides a lower cost 68000 solution. The MC68SEC000 version provides a static, low power implementation consuming only 15.0mA in normal 3.3V operation and 0.5mA in static standby mode.

## Low Cost 32-Bit Microprocessor Block Diagram Block Diagram



View additional information for [Low Cost 32-Bit Microprocessor \(Including HC000, HC001, EC000 and SEC000\)](#).

**Note:** The information on this document is subject to change without notice.

---

**[www.nxp.com](http://www.nxp.com)**

NXP and the NXP logo are trademarks of NXP B.V. All other product or service names are the property of their respective owners. The related technology may be protected by any or all of patents, copyrights, designs and trade secrets. All rights reserved. © 2024 NXP B.V.