



Integrated Processor with DMA

MC68340

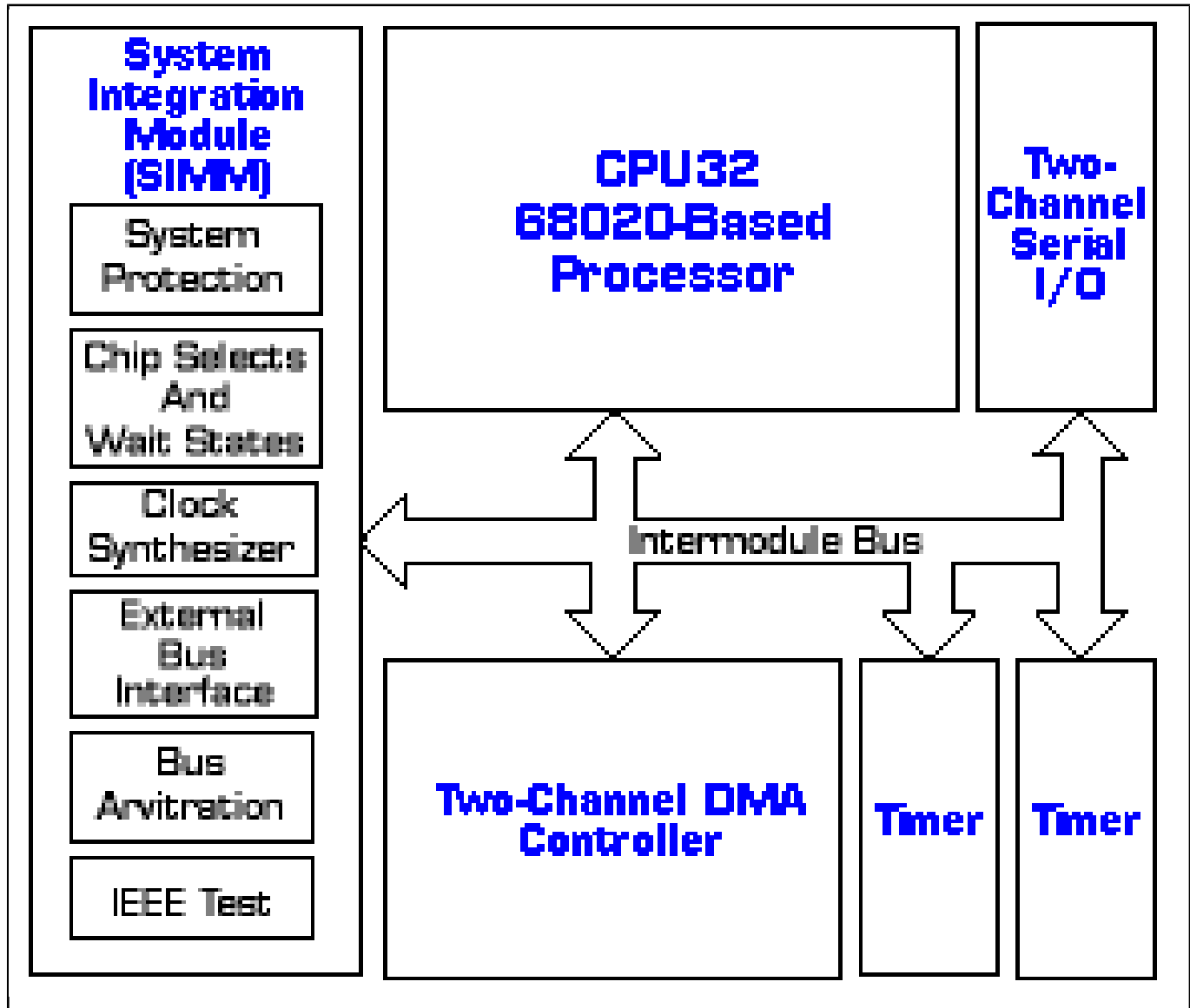
Not Recommended for New Designs

This page contains information on a product that is not recommended for new designs.

Last Updated: Apr 9, 2022

The MC68340 is a high-performance 32-bit integrated processor with direct memory access (DMA), combining an enhanced M68000-compatible processor, 32-bit DMA, and other peripheral subsystems on a single integrated circuit. The MC68340 CPU32 delivers 32-bit CISC processor performance from a lower cost 16-bit memory system. The combination of peripherals offered in the MC68340 can be found in a diverse range of microprocessor-based systems. Systems requiring very high-speed block transfers of data can benefit from the MC68340.

Integrated Processor with DMA Block Diagram Block Diagram



View additional information for [Integrated Processor with DMA](#).

Note: The information on this document is subject to change without notice.

www.nxp.com

NXP and the NXP logo are trademarks of NXP B.V. All other product or service names are the property of their respective owners. The related technology may be protected by any or all of patents, copyrights, designs and trade secrets. All rights reserved. © 2023 NXP B.V.