



Integrated ColdFire® Microprocessor with DMA

MCF5206E

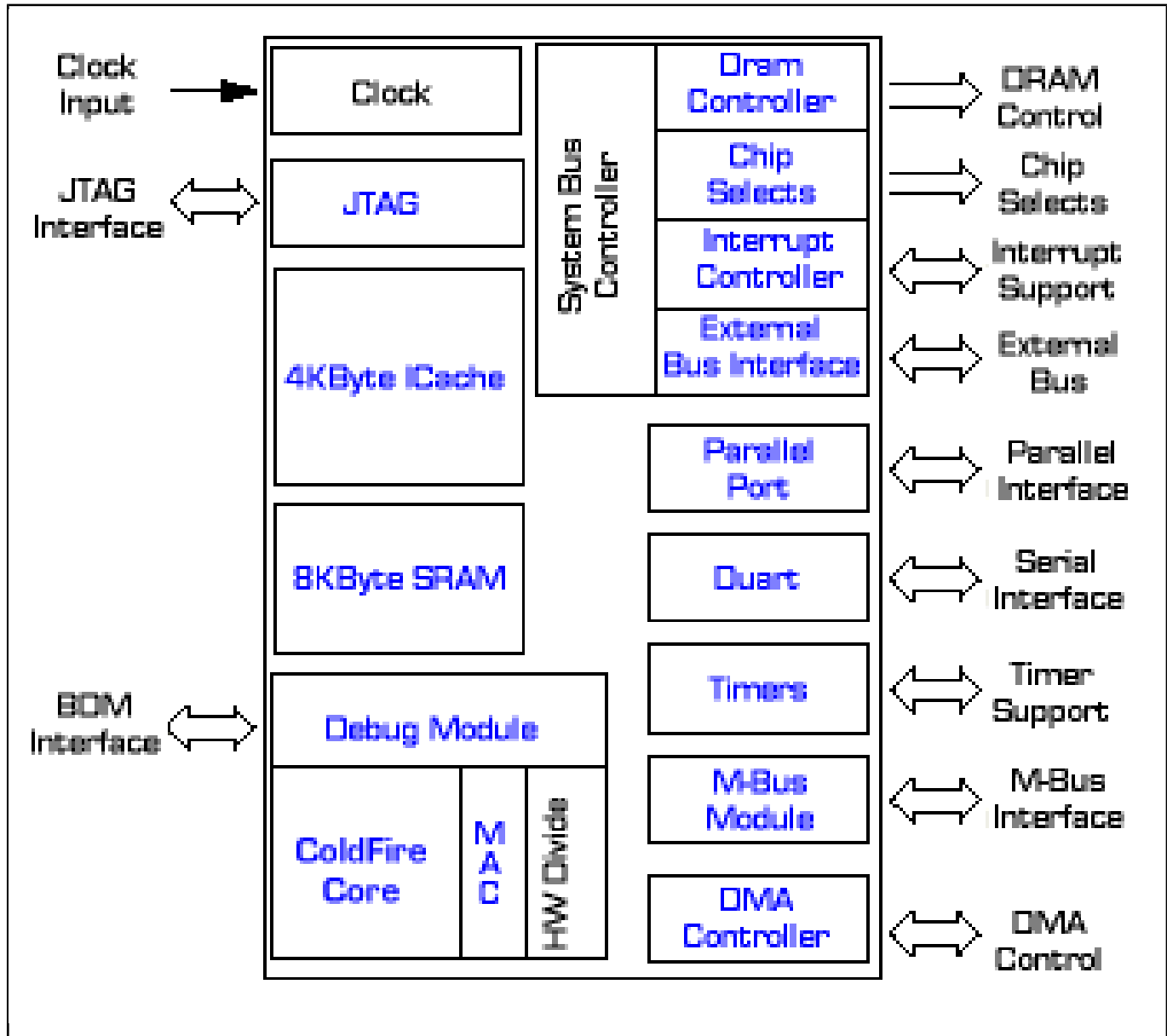
Not Recommended for New Designs

This page contains information on a product that is not recommended for new designs.

Last Updated: Apr 9, 2022

The MCF5206e integrated microprocessor combines a ColdFire® V2 core with several peripheral functions such as a DRAM controller, timers, parallel and serial interfaces and system integration. This device is an enhanced version of the MCF5206. Not only does the MCF5206e provide a performance upgrade to the MCF5206 due to the increased 4 KB I-cache and 8 KB SRAM and increased frequency, but it also integrates an additional multiply-accumulate module (MAC), hardware divide and two-channel direct memory access (DMA) to the device while maintaining pin compatibility with the MCF5206.

Integrated ColdFire MCF5206E Microprocessor with DMA Block Diagram Block Diagram



View additional information for [Integrated ColdFire® Microprocessor with DMA](#).

Note: The information on this document is subject to change without notice.

www.nxp.com

NXP and the NXP logo are trademarks of NXP B.V. All other product or service names are the property of their respective owners. The related technology may be protected by any or all of patents, copyrights, designs and trade secrets. All rights reserved. © 2022 NXP B.V.