



Integrated ColdFire® V2 Microprocessor

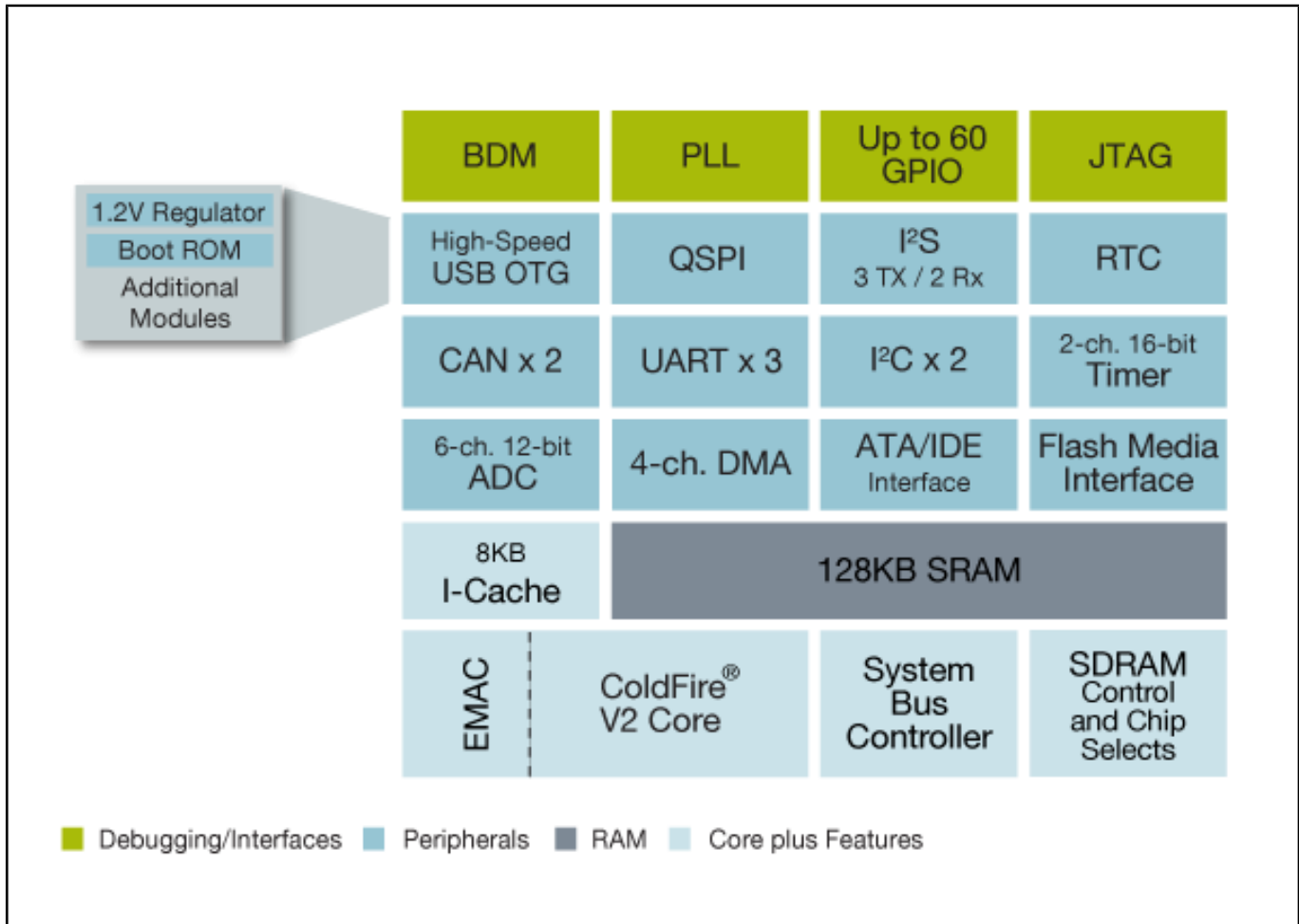
MCF525X

Last Updated: Dec 15, 2024

The MFC525x family features a 32-bit ColdFire® V2 core with enhanced multiplier-accumulator (eMAC) unit providing optimum performance and code density for the combination of control code and signal processing required in compressed audio decode, file management and system control.

It includes on-chip integration of USB-OTG technology with a tamper-proof real-time clock (RTC) and a high-speed ultra direct memory access advanced technology attachment (UDMA ATA) interface. This helps manufacturers reduce chip count and provide even smaller form factors.

ColdFire MCF525X Microcontroller Block Diagram Block Diagram



View additional information for [Integrated ColdFire[®] V2 Microprocessor](#).

Note: The information on this document is subject to change without notice.

www.nxp.com

NXP and the NXP logo are trademarks of NXP B.V. All other product or service names are the property of their respective owners. The related technology may be protected by any or all of patents, copyrights, designs and trade secrets. All rights reserved. © 2025 NXP B.V.