



ColdFire® V2 Integrated Microprocessor

MCF527X

Not Recommended for New Designs

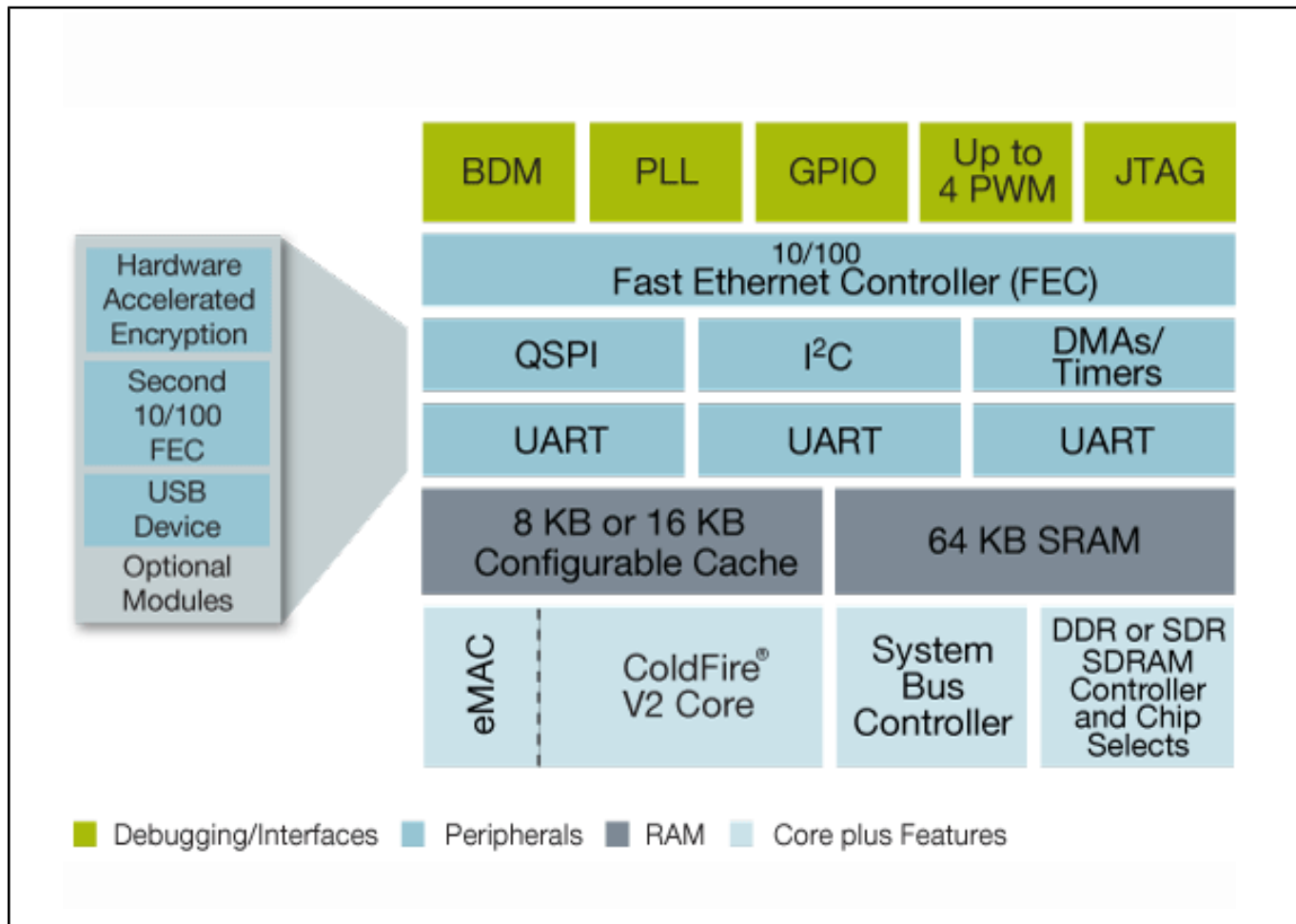
This page contains information on a product that is not recommended for new designs.

Last Updated: Apr 9, 2022

The MCF527x ColdFire® V2 integrated microprocessor combines high-integration and low-cost with a new level of performance on the popular ColdFire V2 core.

The combination of connection, protection and peripheral selection makes the MCF527 ideal for cost-sensitive, power-conscious applications requiring significant control processing for file management, connectivity, data buffering, user interface and signal processing. Additionally, the MCF5275 and MCF5274 are pin-to-pin compatible.

ColdFire MCF527X Microprocessor Block Diagram Block Diagram



View additional information for [ColdFire[®] V2 Integrated Microprocessor](#).

Note: The information on this document is subject to change without notice.

www.nxp.com

NXP and the NXP logo are trademarks of NXP B.V. All other product or service names are the property of their respective owners. The related technology may be protected by any or all of patents, copyrights, designs and trade secrets. All rights reserved. © 2022 NXP B.V.