



2.4 GHz 802.15.4 Wireless Transceiver

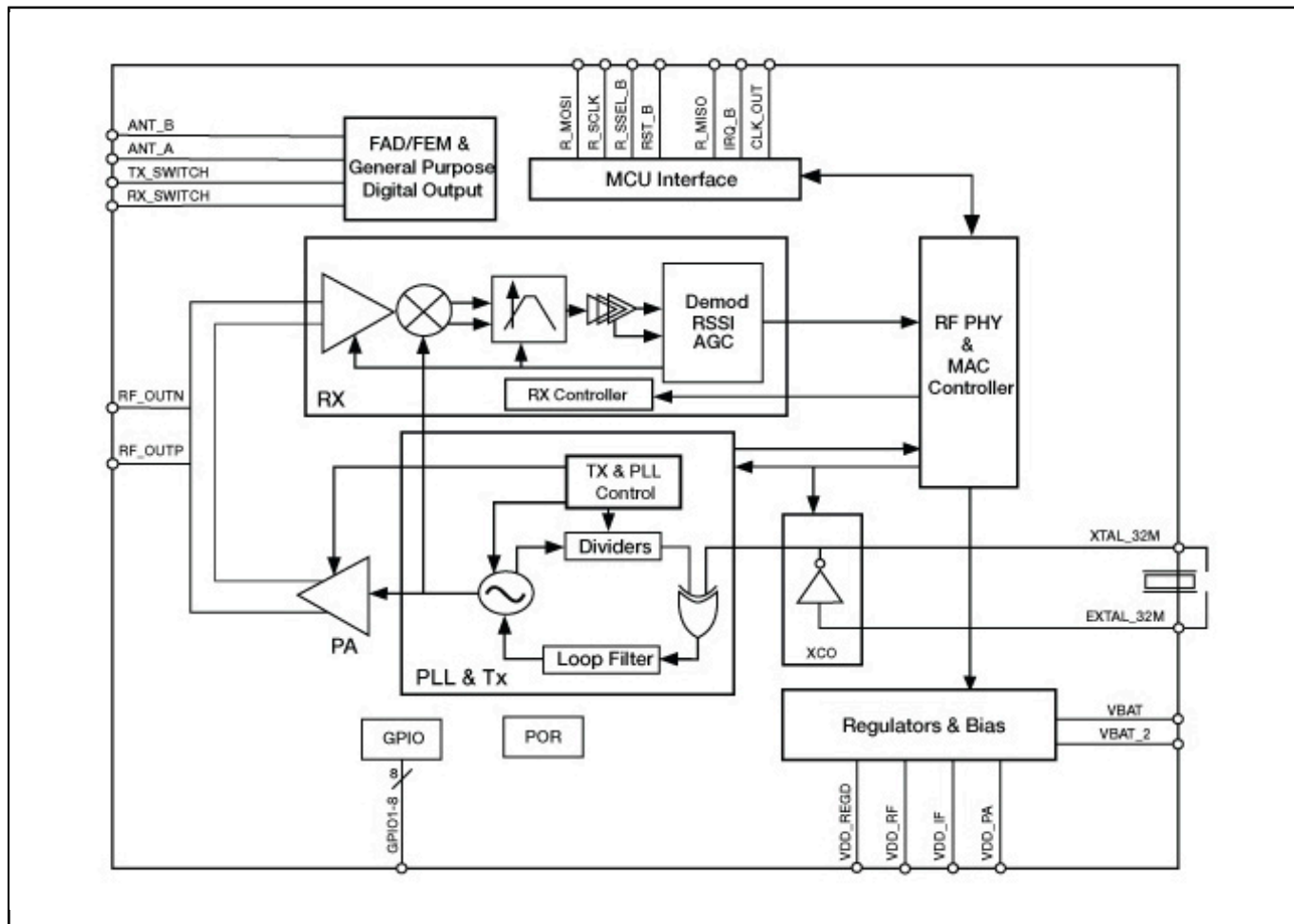
MCR20A

Last Updated: Apr 9, 2022

Note: [JN5189/88T](#) is preferred for any new design. No new software releases planned

The MCR20A expands the NXP® portfolio of wireless connectivity products by delivering a new generation of 2.4 GHz transceiver for the IEEE® 802.15.4 standard. The MCR20A provides a world-class link budget of 110 dB that ensures the longest range of communication. At the same time, the MCR20A is able to receive and transmit at significantly lower peak currents than other competitive devices. This enables mesh networks to run on the same battery for a much longer period. The Dual PAN support allows the system to concurrently participate in two 802.15.4 networks, eliminating the need for multiple radios.

MCR20A Block Diagram Block Diagram



View additional information for [2.4 GHz 802.15.4 Wireless Transceiver](#).

Note: The information on this document is subject to change without notice.

www.nxp.com

NXP and the NXP logo are trademarks of NXP B.V. All other product or service names are the property of their respective owners. The related technology may be protected by any or all of patents, copyrights, designs and trade secrets. All rights reserved. © 2022 NXP B.V.