



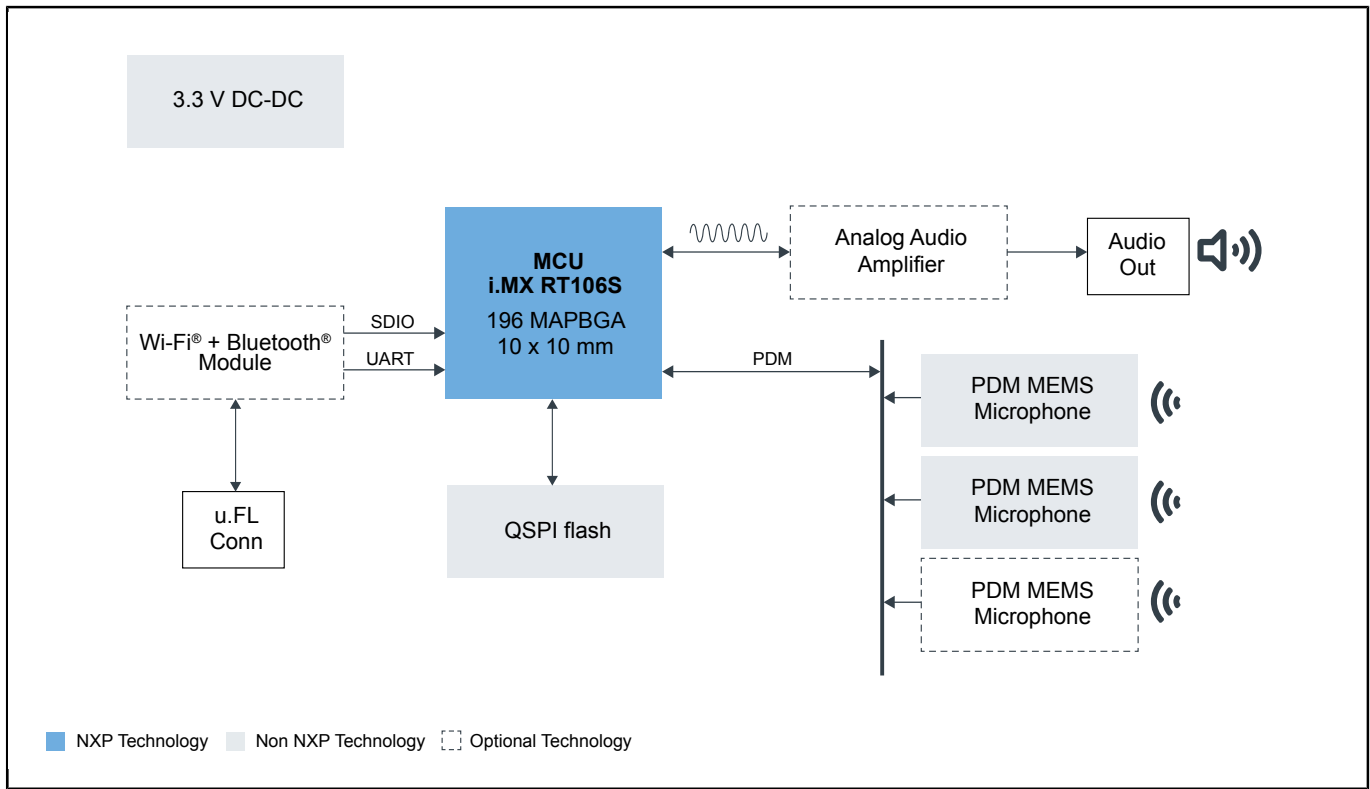
NXP EdgeReady MCU Based Solution for Local Voice Control

MCU-LOCAL2-VOICE

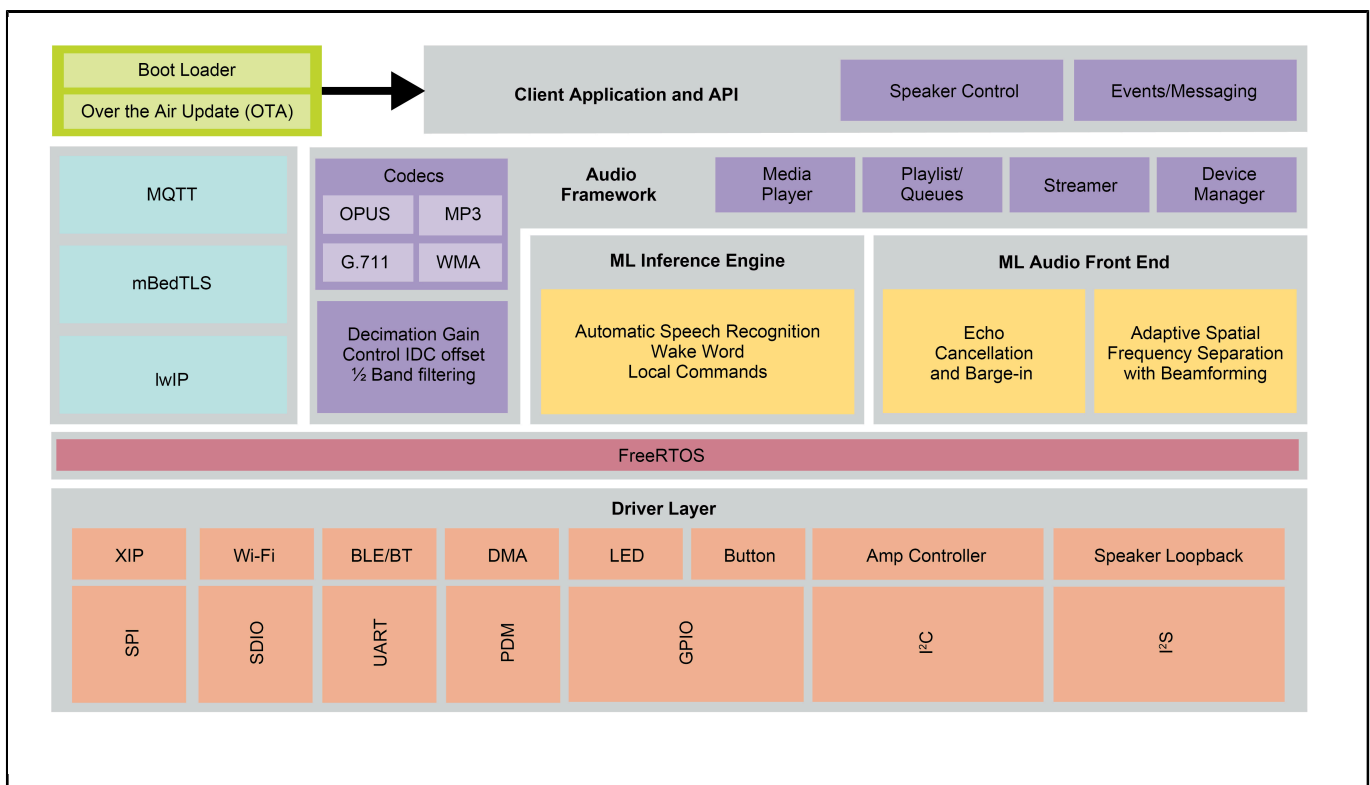
Last Updated: Nov 15, 2022

NXP's [EdgeReady](#) MCU-based solution for offline local voice control, leverages the i.MX RT crossover MCU, enabling developers to quickly and easily add voice assistant capabilities to their products. This i.MX RT106S based turnkey solution includes a development kit (SLN-LOCAL2-IOT) with fully integrated software running on FreeRTOS, for quick out-of-the-box evaluation and proof of concept development. The BOM cost optimized reference design and production ready SDK minimizes time to market, risk, and development effort, enabling OEMs to easily add voice to their smart home, smart appliance, smart building and smart industrial products, without the need for Wi-Fi or cloud connectivity, addressing the privacy concerns of many consumers. This second generation local voice solution had a Windows™ based tool enabling developers to create speech models for over one hundred custom commands and multiple wake words from text input, with support for over forty languages.

Local Voice Hardware Block Diagram



Local Voice Software Block Diagram



View additional information for [NXP EdgeReady MCU Based Solution for Local Voice Control](#).

Note: The information on this document is subject to change without notice.

www.nxp.com

NXP and the NXP logo are trademarks of NXP B.V. All other product or service names are the property of their respective owners. The related technology may be protected by any or all of patents, copyrights, designs and trade secrets. All rights reserved. © 2023 NXP B.V.