



# Integrated HCS12 Based Relay Driver Microcontrollers (MCUs) with LIN

## MM912\_634

Last Updated: Jul 20, 2023

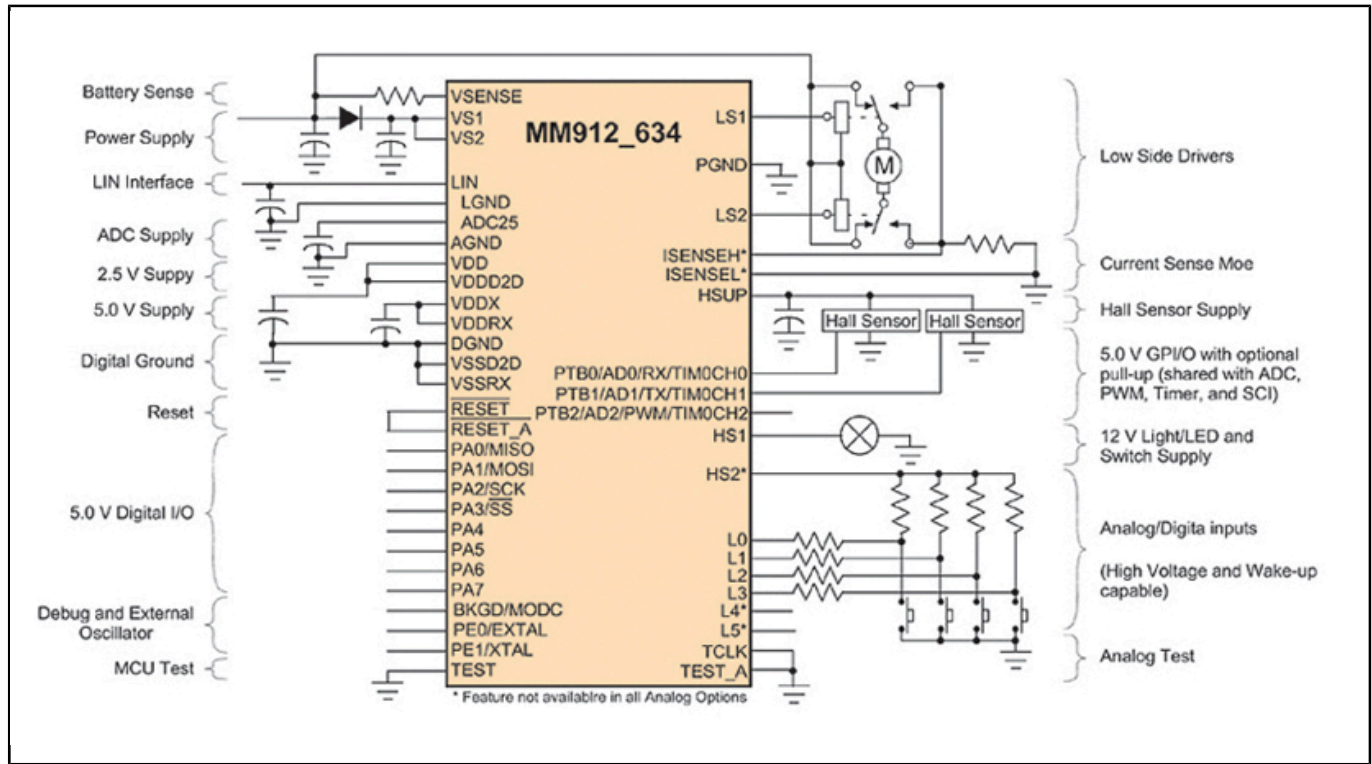
The MM912G634 (48 kB) and MM912H634 (64 kB) are integrated single package solutions that integrate an HCS12 MCU with a SMARTMOS® analog control IC. The Die to Die Interface (D2D) controlled analog die combines system base chip and application-specific functions, including a LIN transceiver.

Your customer benefits include:

- Integrated MCU and analog features in the same package solution
- A full LIN solution
- Easy control of high-current motors using relays and current sense features
- Reduced space, resulting in enhanced reliability
- Full protection for output stages
- Economical multifunction solution with few components
- Low-power mode flexibility
- Reverse-battery-protected voltage sense

[View internal diagram](#)

# HCS12 Block Diagram Block Diagram



View additional information for [Integrated HCS12 Based Relay Driver Microcontrollers \(MCUs\) with LIN](#).

Note: The information on this document is subject to change without notice.

[www.nxp.com](http://www.nxp.com)

NXP and the NXP logo are trademarks of NXP B.V. All other product or service names are the property of their respective owners. The related technology may be protected by any or all of patents, copyrights, designs and trade secrets. All rights reserved. © 2024 NXP B.V.