



SPI $\pm 20/20g$, $\pm 50/50g$, $\pm 100/100g$, Medium-g, Digital or Analog Accelerometer

MMA62xx

Archived

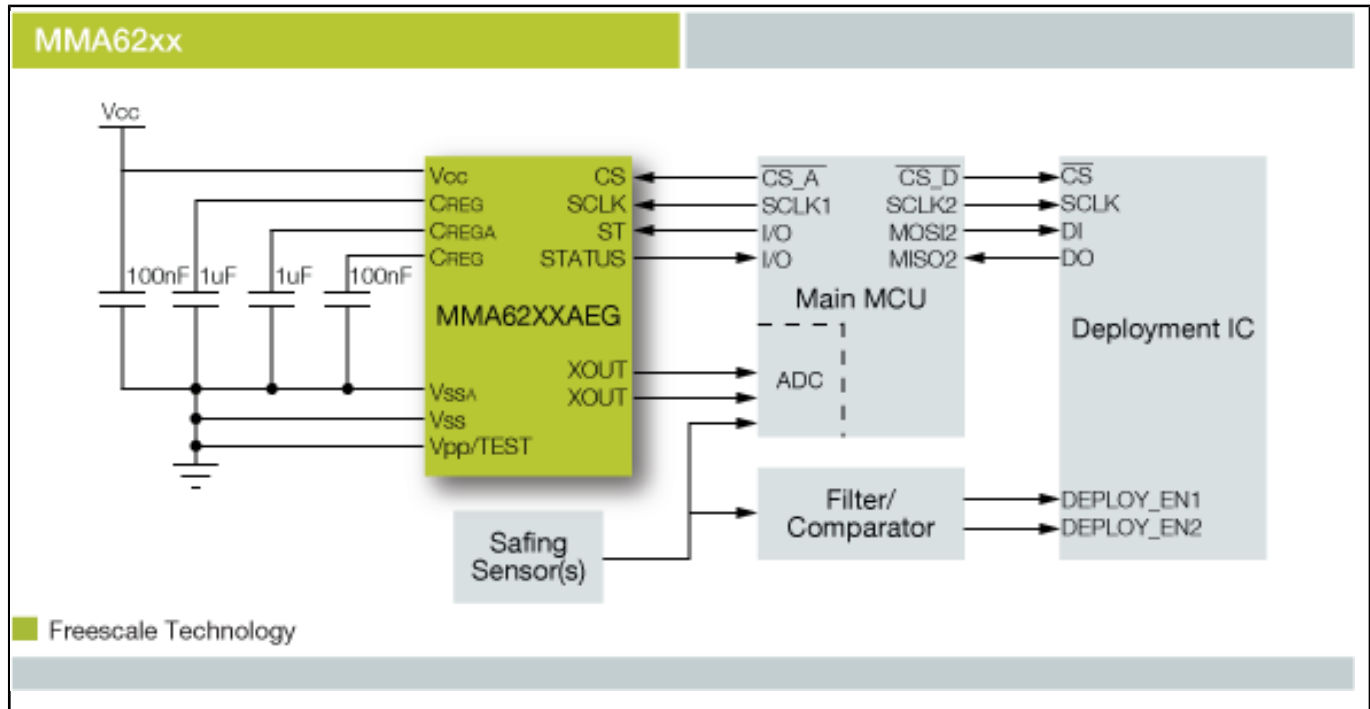
This page contains information on a product that is no longer manufactured (discontinued). Specifications and information herein are available for historical reference only.

Last Updated: Sep 7, 2022

Targeting automotive applications, the MMA62xx family provides dual axis (x and y) silicon capacitive, micro-machined accelerometers with serial peripheral interface (SPI)-compatibility.

- Incorporates full digital signal processing for filtering, trim and data formatting
- Includes optimization for analog output
- Offers an over-damped transducer

Freescale MMA62XX Acceleration Sensor Block Diagram Block Diagram



View additional information for [SPI ±20/20g, ±50/50g, ±100/100g, Medium-g, Digital or Analog Accelerometer](#).

Note: The information on this document is subject to change without notice.

www.nxp.com

NXP and the NXP logo are trademarks of NXP B.V. All other product or service names are the property of their respective owners. The related technology may be protected by any or all of patents, copyrights, designs and trade secrets. All rights reserved. © 2024 NXP B.V.