



14-Channel Configurable PMIC

MMPF0100

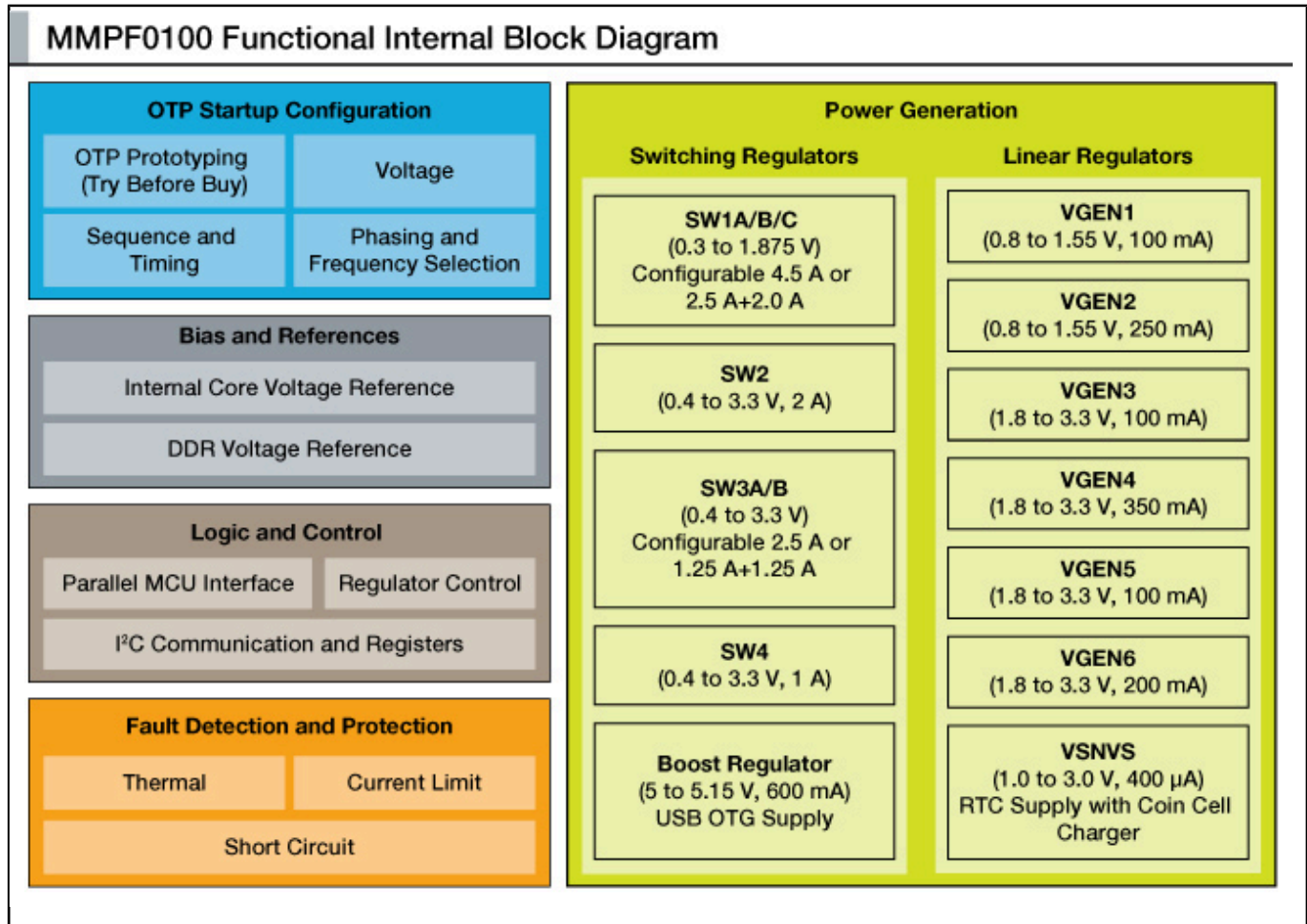
Last Updated: Aug 12, 2022

The MMPF0100 is the first of the PF series of our PMICs, featuring:

- Configurable and programmable architecture supporting outputs with various current ratings to power the core processor, memory and a wide range of peripherals
- Integration of full system-level power management functions to simplify system design
- Optimized performance architecture for efficient, advanced functionality for consumer, industrial and automotive applications

The MMPF0100 is suited to all i.MX 6 processors: [i.MX 6SoloX](#), [i.MX 6SoloLite](#), [i.MX 6Solo](#), [i.MX 6DualLite](#), [i.MX 6Dual](#), [i.MX 6Quad](#), [i.MX 6DualPlus](#) and [i.MX 6QuadPlus](#). It is built into multiple reference designs in the i.MX 6 family to provide a platform-level solution from that enables faster time to market.

MMPF0100_BD Block Diagram



View additional information for [14-Channel Configurable PMIC](#).

Note: The information on this document is subject to change without notice.

www.nxp.com

NXP and the NXP logo are trademarks of NXP B.V. All other product or service names are the property of their respective owners. The related technology may be protected by any or all of patents, copyrights, designs and trade secrets. All rights reserved. © 2022 NXP B.V.