



# 12-Channel Configurable PMIC

## MMPF0200

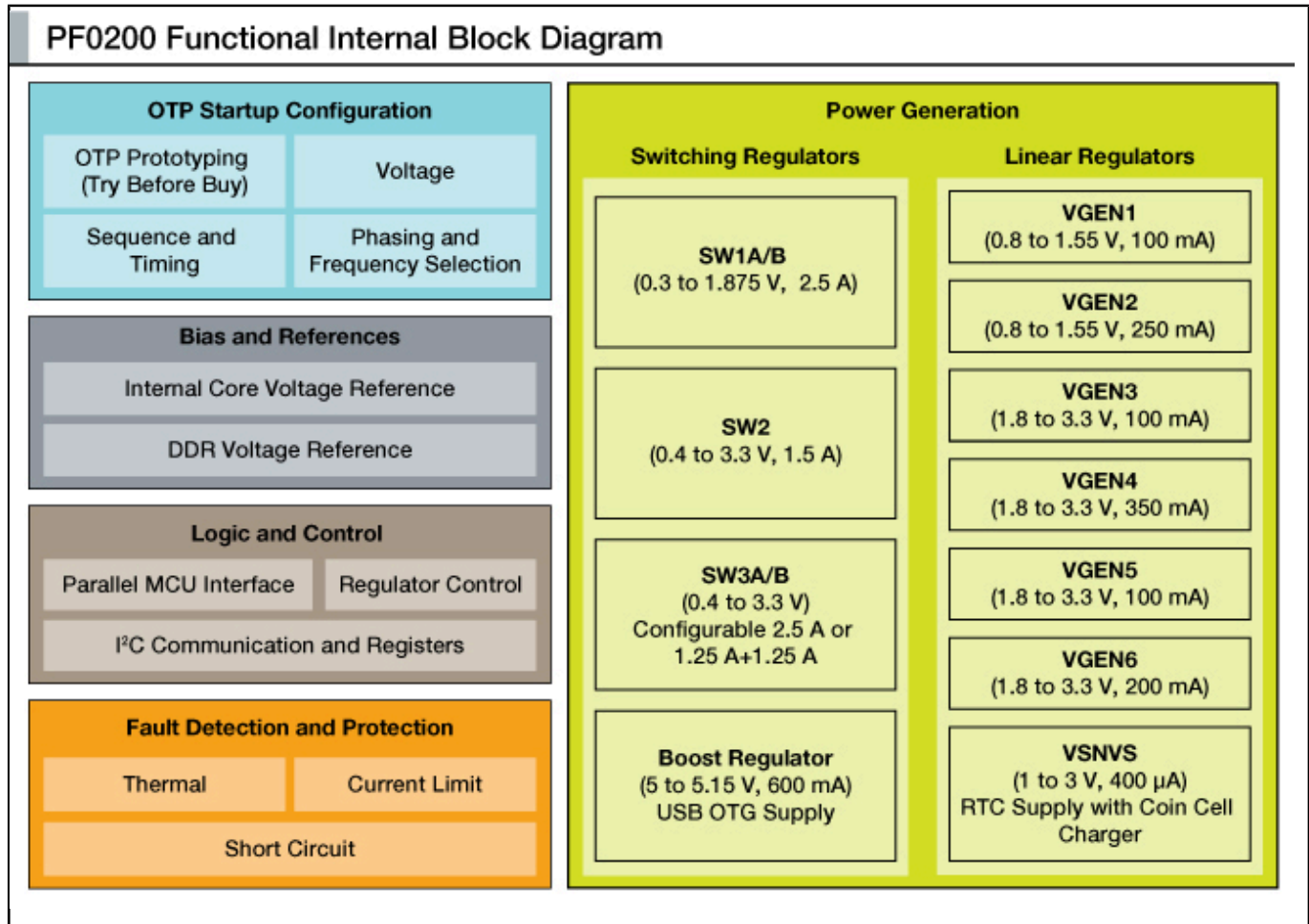
Last Updated: Jun 7, 2022

The MMPF0200 PMIC has configurable high-performance architecture for improved efficiency across the complete output range and advanced functionality for consumer, industrial and automotive applications.

- Supports numerous outputs with various current ratings as well as programmable voltage and sequencing
- Powers the core processor, memory and peripherals to provide a single-chip power solution for multiple applications
- Reduced design complexity and lower overall bill of materials

The MMPF0200 is ideal for the [i.MX 6SoloLite](#), [i.MX 6Solo](#) and [i.MX 6DualLite](#) applications processors, providing a platform-level solution from that enables faster time to market.

# PF0200 Functional Internal Block Diagram Block Diagram



View additional information for [12-Channel Configurable PMIC](#).

Note: The information on this document is subject to change without notice.

[www.nxp.com](http://www.nxp.com)

NXP and the NXP logo are trademarks of NXP B.V. All other product or service names are the property of their respective owners. The related technology may be protected by any or all of patents, copyrights, designs and trade secrets. All rights reserved. © 2022 NXP B.V.